



HIGH
SPEED
DOORS



DynamicRoll® 90



TECHNICAL DATA



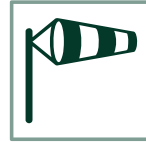
SELF-REPAIR



HIGH SPEED
Up to 2,5 m/s



SAFE



WIND
RESISTANCE



OIL FREE



GRAVITY
TECHNOLOGY

DynamicRoll® 90 is a self-repairing roll up door designed to reach different kinds of applications, both internal and external, allowing the traffic flows and assuring high safety. Thanks to the special sliding system, that lets the curtain, without rigid elements inside it, come out from the guides, to protect itself in case of any impact during the operation of the door and allows it to reinsert after one cycle.



MAXIMUM DIMENSIONS	W 6.500 mm x H 6.500 mm
SPEED	Max opening speed Up to 2,5 m/s
	Closing speed 0,8 m/s
CYCLES TEST	1.000.000
WIND RESISTANCE	3.000 x 3.000 Class 3
	5.000 x 5.000 Class 2
STRUCTURE	Not self-supporting
FRAME / MOTOR COVER HOOD	Standard Stainless steel 441/304
	Optional Stainless steel 316
CURTAIN	Standard PVC curtain 1.300 g/m ² , 6 W/m ² K
	Optional • Insulated • Translucent 35/40% • FDA (white) • Antistatic
SLIDING SYSTEM	Patented sliding system with high density. Polyzene self-lubricant equipped of sliding zipper directly on curtain
WIRING	Plug and Play system IP65

CONTROL PANEL

Standard Powder coated steel box IP54 (300 x 500 x 150 mm)

Optional

- Stainless Steel
- PVC box (300 x 400 x 150 mm)

Inverter system 50/60 Hz with absolute encoder

Power supply 1-ph, 230V max 16A

Power supply 3-ph, 400V max 10A

Power supply 3-ph, 230V max 16A

Start/Stop Button

2 free contacts (door open/ closed/ alarm)

Automatic/ Manual Interlocking between 2 doors

IP rating for motor and control panel IP54

SAFETIES

Standard

- Photocells set IP65
- Anti-jam sensor reverse
- WiFi safety edge IP65
- Wireless

Optional

Multi ray light curtain barrier H2500 IP67

EMERGENCY OPENING

Standard

Hand crank

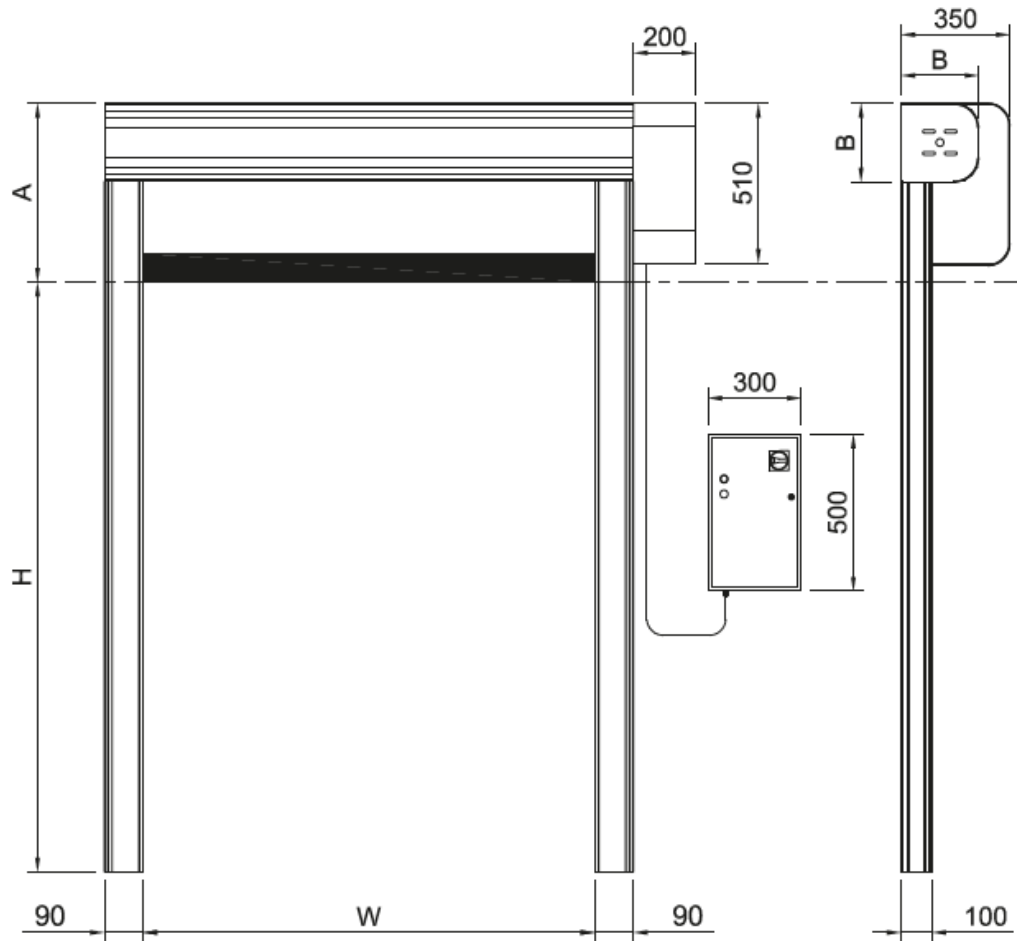
Optional

- Chain system
- Counterweight system
- UPS battery

ADVISING OPERATIVE TEMPERATURE

Operating till - 30°C with heating kit added - Not apt to be installed in negative/positive temperature

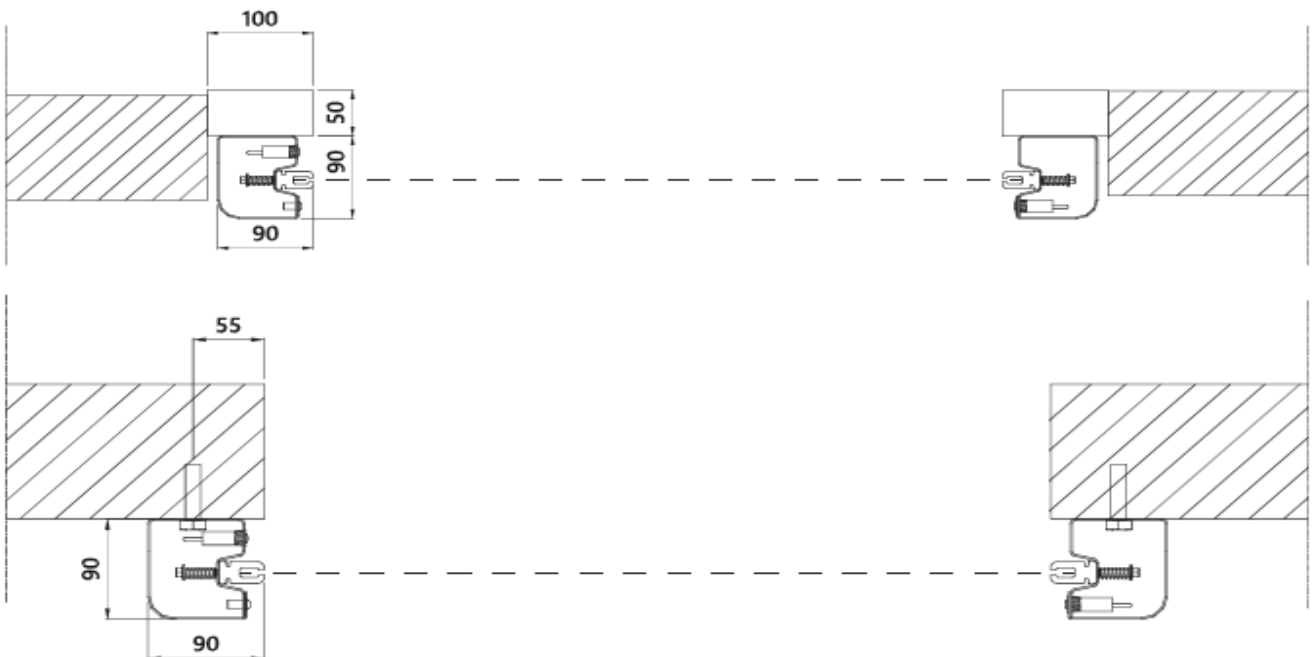
OVERALL DIMENSIONS



A: 450 / 550 / 650

B: 250 / 350

MOUNTING METHOD



PVC CHARACTERISTICS

STANDARD PVC

Composition and tests

EXTERNAL SIDE			
Material	Finishing	Color	Thick
PVC	Opaque	18 standard	0,7 mm
FABRIC			
Material	N. tarps	Title	EN 2286-2
PES	1	1100Dtex 12x12	900 g/m ²
INTERNAL SIDE			
Material	Finishing	Color	Thick
PVC	Rough	18 standard	0,2 mm
COLD RESISTANCE			
ISO 4675/90 -50°C ±5			
HYDROLYSIS TEST			
75°C 95% humidity none variation			
GAS OIL TEST			
- none variation			
MARINE WATER TEST			
- none variation			
OZONE TEST			
ISO 3011 none crack			
T. STORAGE			
(°C) -30 +65			
FLAME TEST			
ISO 3795 < 100 mm/min			
PERFORATION			
RINA 3.A1.2.7 (N) > 100			
EXERCISE 7 days -70°C			
ISO 6065 none variation			

Characteristics

THICK ISO 2286/3 (mm) 0,9±0,1
WEIGHT ISO 2286/2 (kg/m ²) 0,90±0,1
LOAD BREAK ISO 1421 6000 N/50mm
WARP EXTENSION ISO 1421 4300 N/50mm
TEXTURE EXTENSION ISO 1421 4000 N/50mm
WARP BREAK dIN 53363 (N) > 600
TEXTURE BREAK dIN 53363 (N) > 530
ADHESION dIN EN ISO 2411 130 N/50mm
EEC CONFORMITY - Yes
SPECIFIC USE industry, refrigerators, car washes, supermarkets, warehouses
ASSOCIATION -

Colors



CRISTAL (windows)

Characteristics SUPERCLEAR 0.75 mm FR



THICKNESS (mm) 0.75
PVC TOTAL WEIGHT (g/m ²) 940
LIGHT TRANSMISSION JIS K - 7361 87.5 %
TENSILE STRENGTH LENGTHWISE MD JIS K - 6732 (N) 26,6
TENSILE STRENGTH CROSSWISE TD JIS K - 6732 (N) 24,2
TEAR STRENGTH LENGTHWISE MD JIS K - 6732 (N) 55,6
TEAR STRENGTH CROSSWISE TD JIS K - 6732 (N) 57,4
ELONGATION LENGTHWISE MD JIS K - 6732 406 %
ELONGATION CROSSWISE TD JIS K - 6732 414 %
COLD CRACK RESISTANCE JIS K - 6772 -40 °C

OPTIONAL ACCESSORIES

Translucent Insulated available Antistatic available
FDA (Food Drug Administration) certified pvc available

RADAR



OPENING POINT
RADAR TOF/SPOT
for internal use only



INFRARED RADAR
with cross-movement
adjustment



INFRARED RADAR
motion and presence
(pedestrian/forklift) radar

TRAFFIC LIGHTS



GREEN FIXED STANDARD
traffic light



RED FIXED STANDARD
traffic light



LED TRAFFIC LIGHT
with countdown



LED TRAFFIC LIGHT
BARRIERS
(connection card included)

BUTTONS



OPENING GREEN
BUTTON
with box



OPENING BLACK
BUTTON
with box



FREEZE STOP
BUTTON
with box



NO TOUCH
BUTTON



TRAFFIC LIGHT
BUTTON
DUAL-FUNCTION
opening and
intermittent door
opening/closing
signaling



WIND GAUGE



KEY SELECTOR



REMOTE CONTROL



BOLLARD B-PROTECT



PULL CORD SWITCH



MAGNETIC LOOP DETECTOR

Quality products since 1997

BMP EUROPE HIGH SPEED DOORS
 Strada della Freisa 1 - Villanova d'Asti 14019 (AT)
 +39 0141 948843
www.bmpdoors.com - info@bmpdoors.com

03/2024