



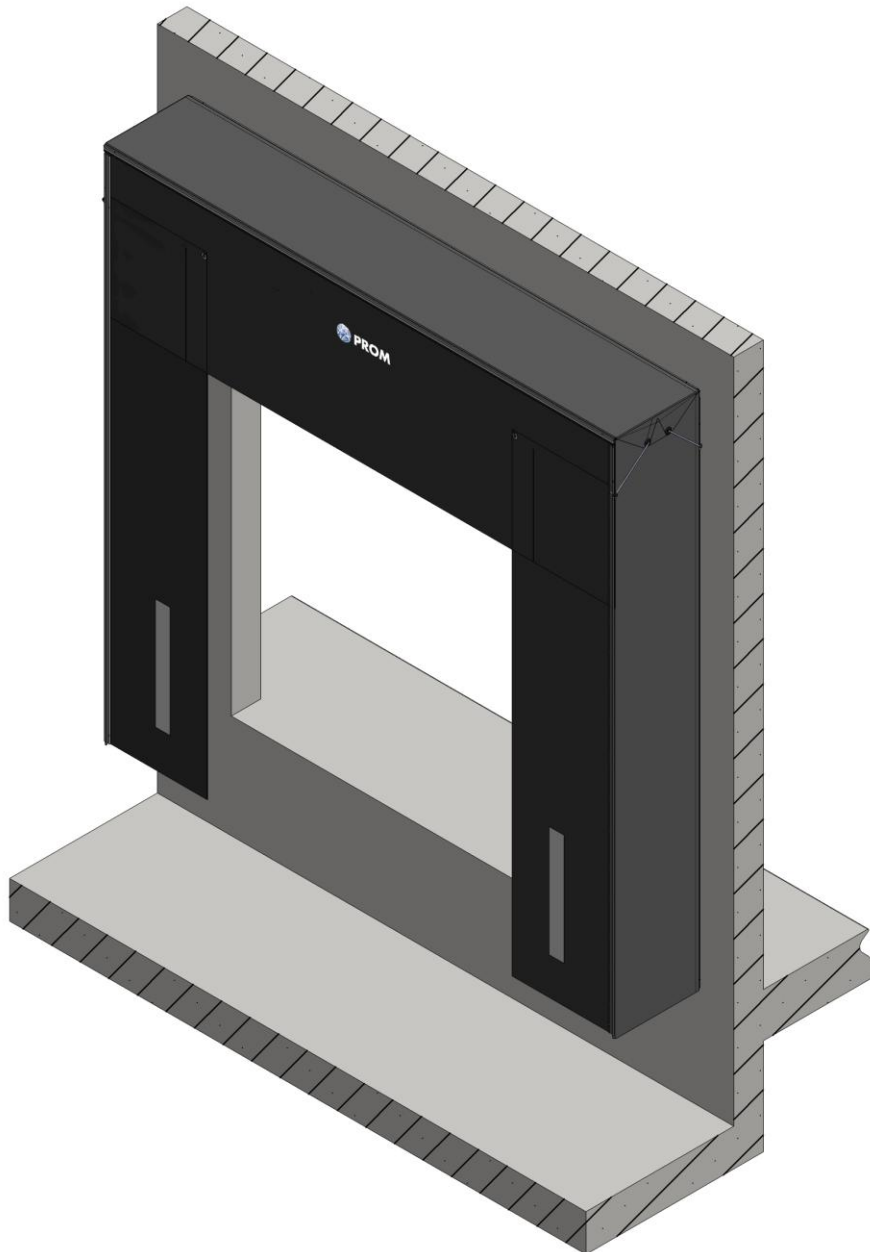
Doc. no.:
Product datasheet: SMART V
Version: 1.0.0
Date: 2012-06-20

Classification
level:
1

Product datasheet
Mechanical dock shelter
SMART V
Page: 1 / 5

Product datasheet

Mechanical dock shelter (SMART V)



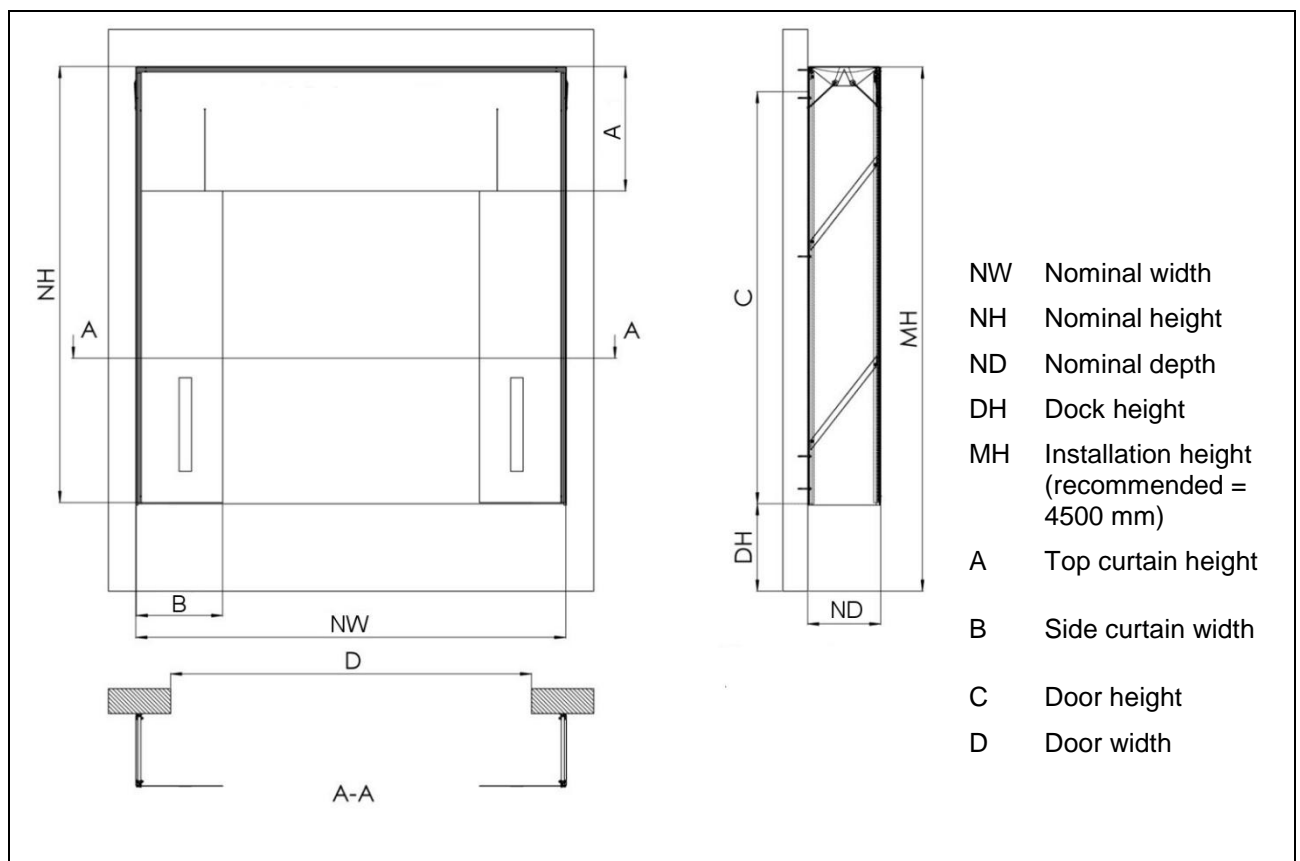
Mechanical dock shelter (SMART V)

The SMART V mechanical dock shelter completes PROMStahl's wide and comprehensive product range of dock shelters.

PROMStahl's SMART V mechanical dock shelter consists of two frames made of special aluminum sections that are connected to each other by bracing arms. Thanks to this system damage of the dock shelter resulting from improper docking of the vehicle is avoided.

The roof and sides of the SMART V are covered by reinforced waterproof fabric. The special design solution of the roof prevents water collection. The front curtains are made of high-stability, high-quality PVC material which is reinforced by a textile layer and hence extremely resistant to wear.

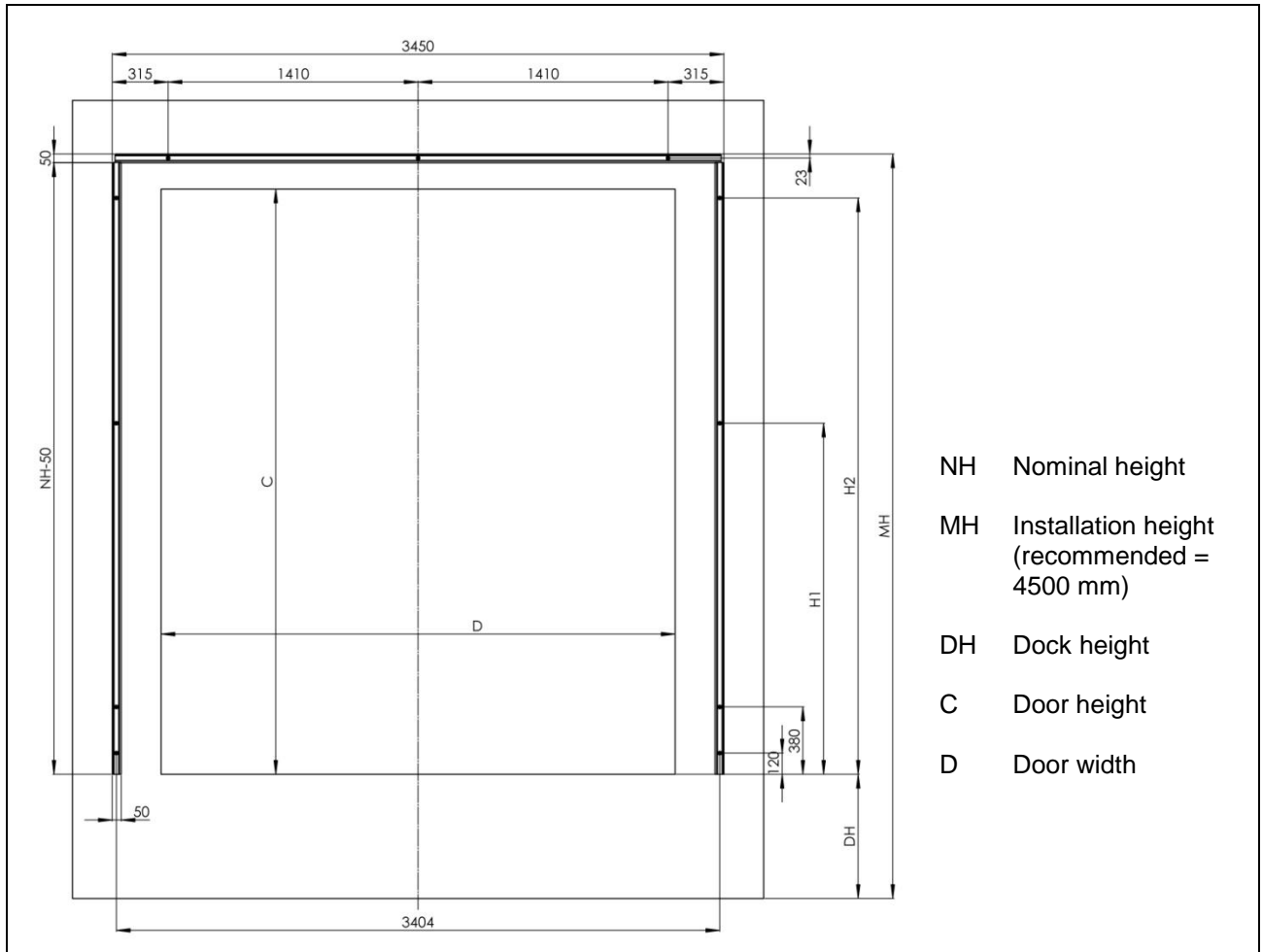
The light structure and wall-type specific mounting material guarantee mounting of the SMART V dock shelter to practically every building.



NW	NH	ND	A	B
3450	3400	600	1000	700
3450	3500	600	1000	700
All dimensions in mm.				

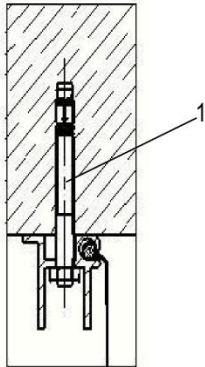
Fixing holes

Depending on the type of wall different fixing points are needed (see drawing). The fixing area for the dock shelter must be flush and strong over the whole surface.



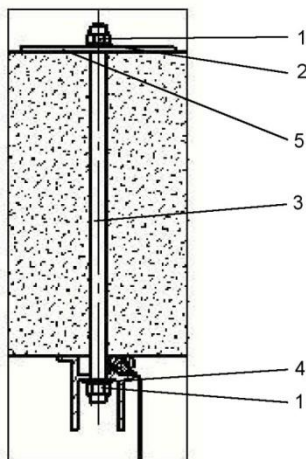
NH [mm]	H1 [mm]	H2 [mm]
3400	1880	3150
3500	1980	3250

- Fixing elements for concrete (heavy duty)



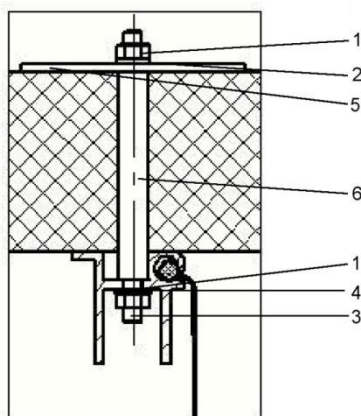
1 heavy-duty bolt

- Fixing elements for aerated autoclaved concrete (maximum wall thickness: 300 mm)



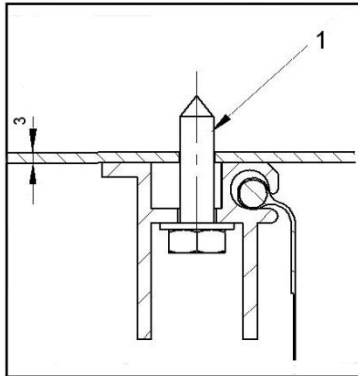
1 hexagonal nut
 2 spring washer
 3 threaded bolt
 4 spacer
 5 shim

- Fixing elements for ISO material (wall thickness 60 mm, 80 mm, 100 mm)



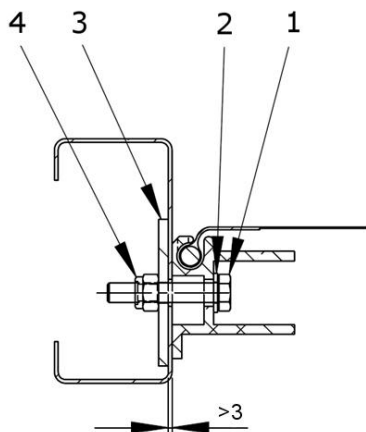
1 hexagonal nut
 2 spring washer
 3 threaded bolt
 4 spacer
 5 shim
 6 spacer tube

- Fixing elements for plain sheet material (plain sheet thickness 3 mm)



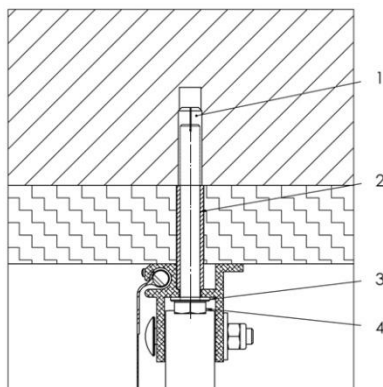
1 self-tapping screw

- Fixing elements for plain sheet material (plain sheet thickness > 3mm)



1 hexagonal bolt
2 washer
3 shim
4 hexagonal nut

- Fixing elements for insulated concrete wall (insulation thickness: 100 mm, 200 mm)



1 heavy-duty bolt
2 spacer tube
3 washer
4 hexagonal nut