



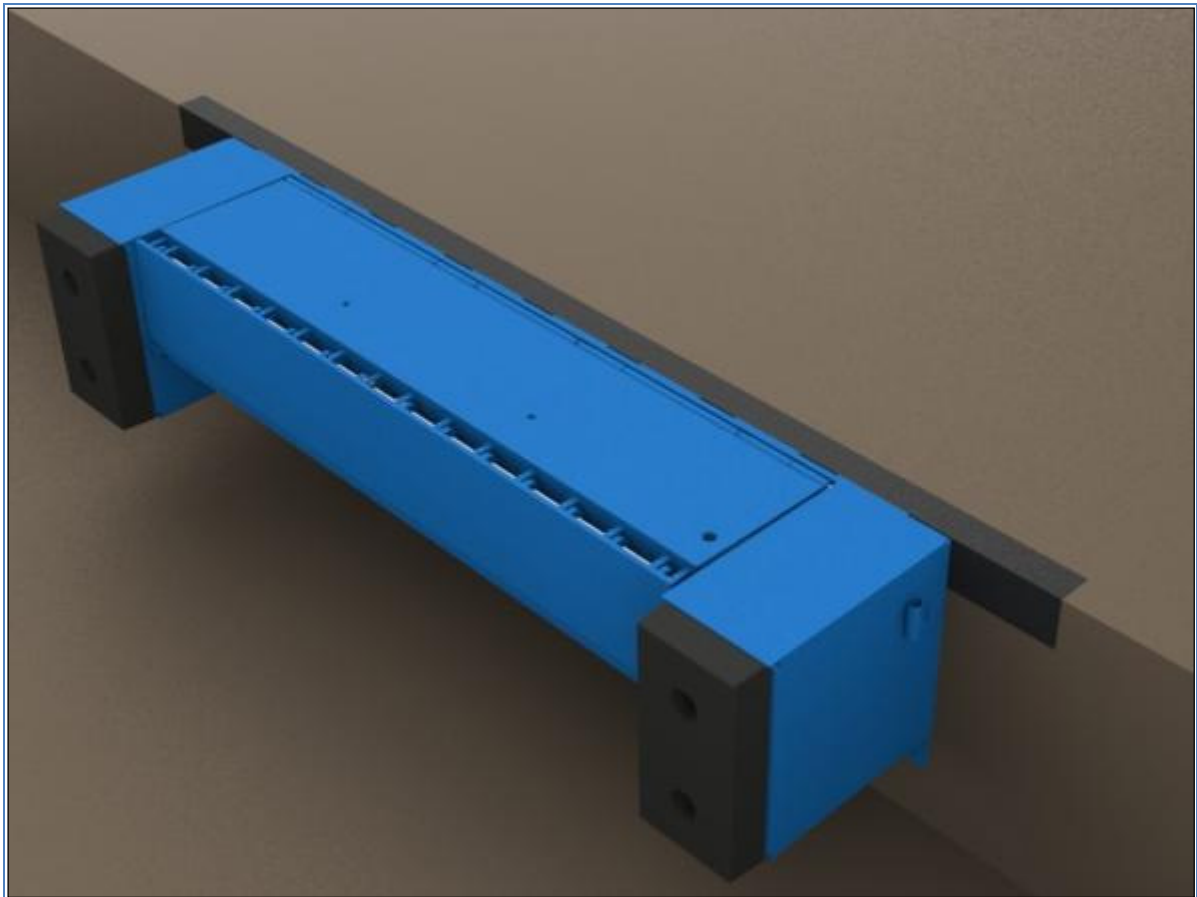
Doc. no.:  
Product datasheet: PECO  
Version: 1.0.1      Classification  
Date:                      level:  
2010-05-31              1

Product datasheet  
**Mechanical  
eco leveller**  
Page: 1 / 6

## Product datasheet

**Mechanical eco leveller (PECO)**

**Load capacity : see identification plate**

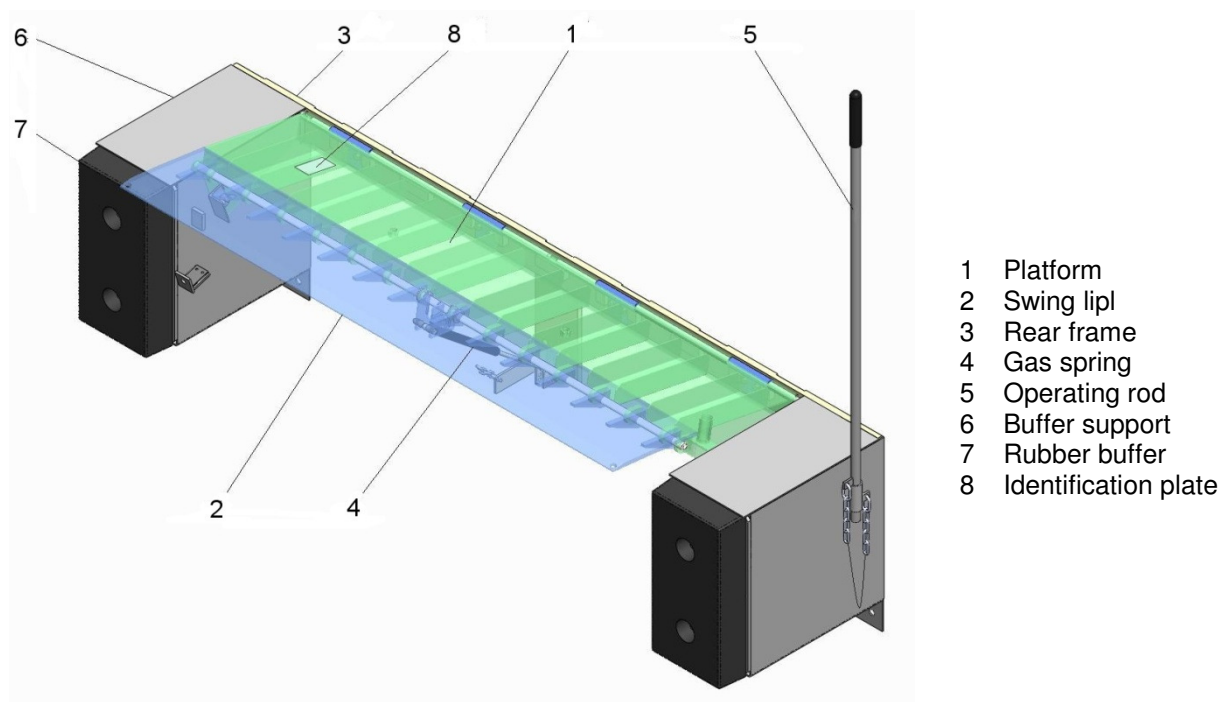


## Mechanical eco leveller (PECO)

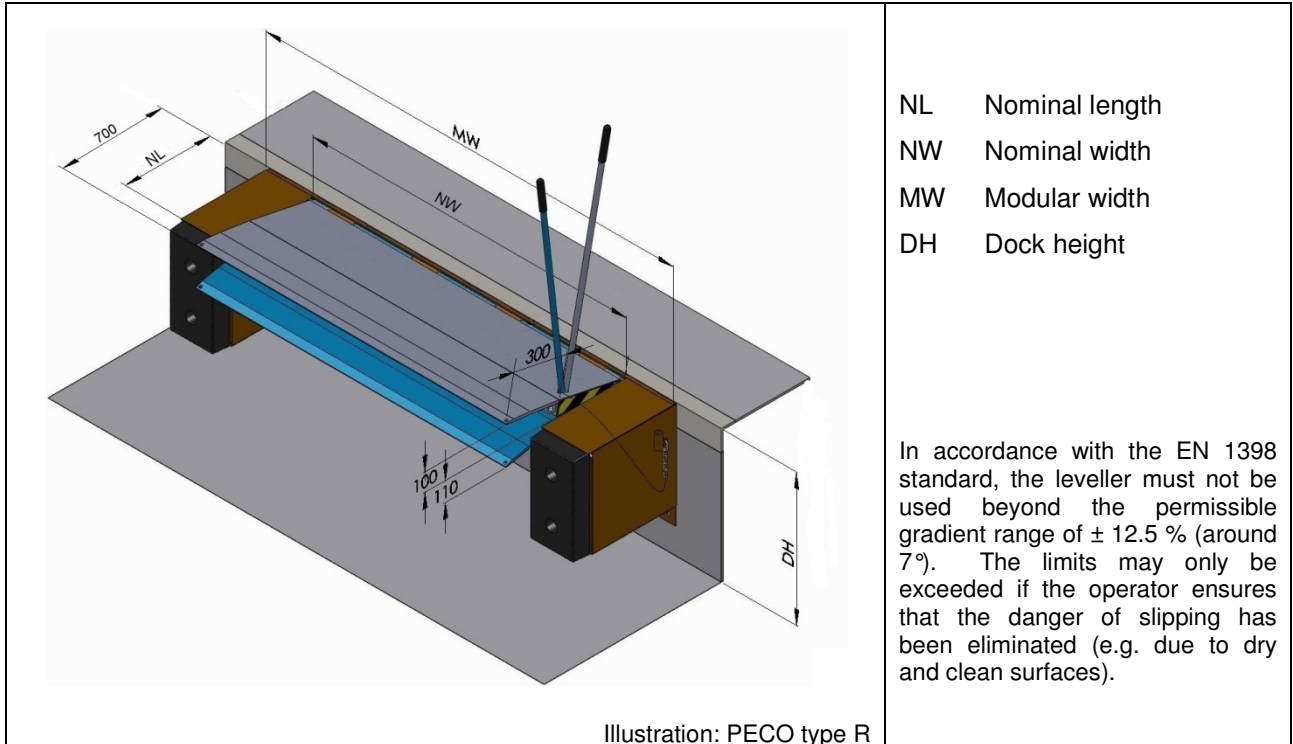
The PECO mechanical eco leveller (**PROMStahl ECONOMICAL**) belongs to PROMStahl's wide product range and is especially suited for loading and unloading vehicles with beds the height of which only slightly differs from that of the dock. The PECO leveller is therefore the perfect solution for fleets with vehicles of nearly identical lorry bed heights.

Fast installation and the possibility to integrate it into already existing loading situations are among the big advantages of this leveller. The PECO leveller is mechanically operated by means of a gas spring so that it can be handled by just one person without any problems: the platform is lifted with the swing lip automatically swinging out in its uppermost position and coming to rest on the lorry bed. During the loading and unloading process the PECO leveller is in its automatic floating position, i.e. it follows the height fluctuations of the vehicle.

The PECO leveller meets the requirements of the latest European standard (DIN EN 1398).

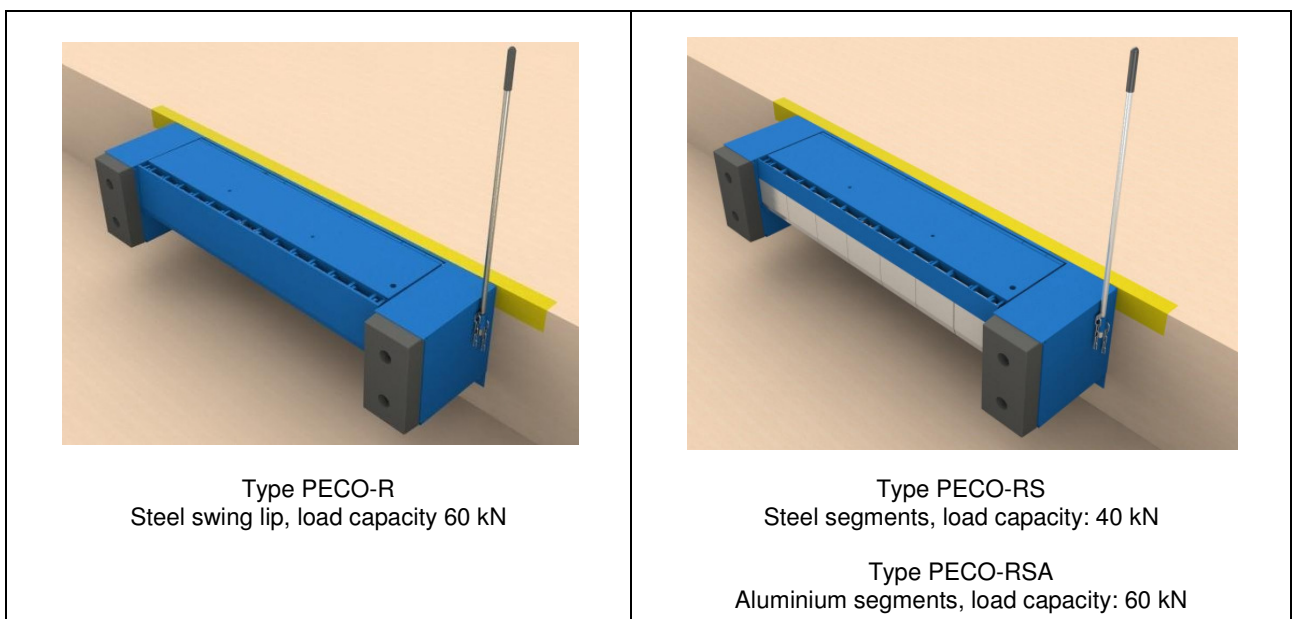


## PECO type R

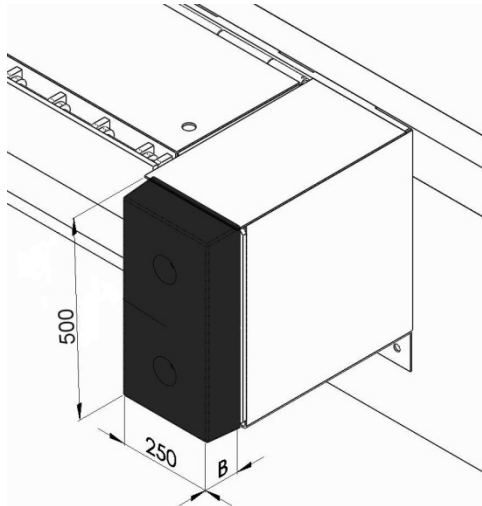


Type	Type R/ RSA			Type RS		
Nominal length (NL) [mm]	485			485		
Nominal width (NW) [mm]	1750	2000	2250	1750	2000	2250
Modular width (MW) [mm]	2300	2550	2800	2300	2550	2800
Load capacity [kN]	60			40		

### Swing lip versions

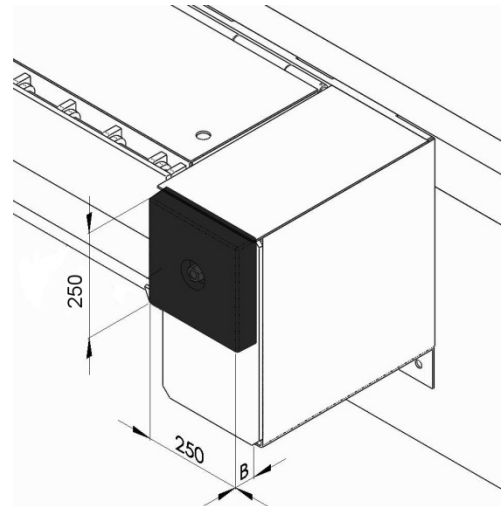


### Buffer options for the PECO mini-dock type R



Options:

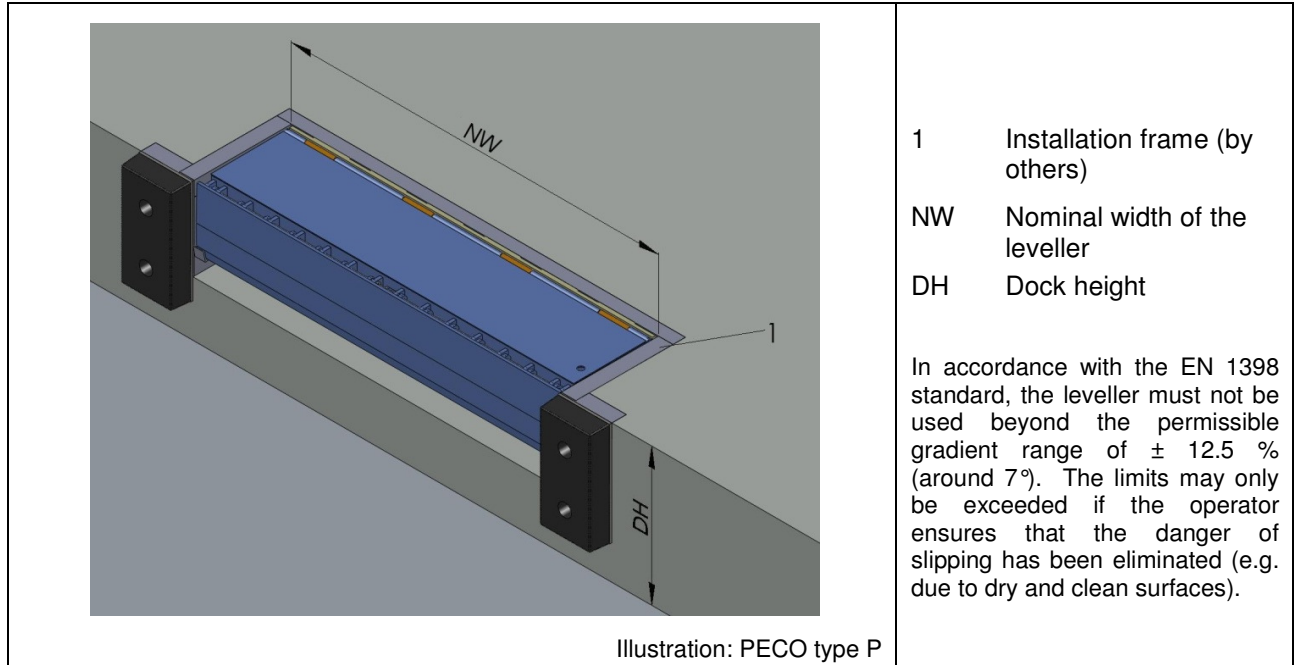
1. Rubber buffer: PBGP 500x250xB (90)
2. Polyethylene buffer: PEHD 500x250x B (50)



Options:

1. Rubber buffer: PBGP 250x250xB (90)
2. Polyethylene buffer: PEHD 250x250xB (50)

## PECO type P

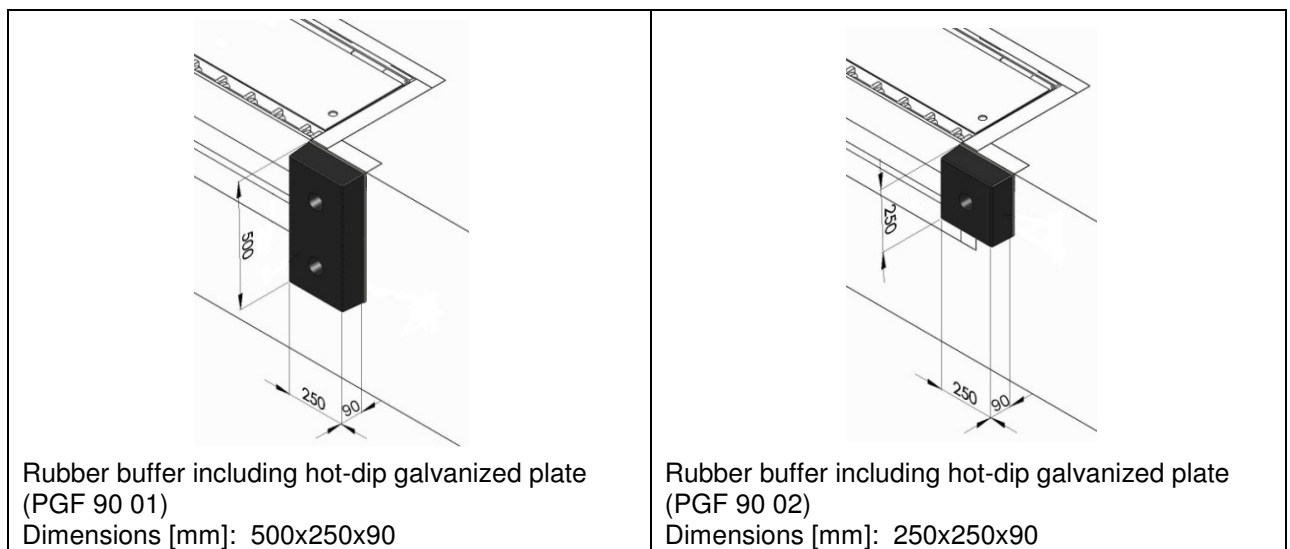


Type	Type P/ PSA			Type PS		
Nominal length (NL) [mm]	485			485		
Nominal width (NW) [mm]	1750	2000	2250	1750	2000	2250
Load capacity [kN]	60			40		

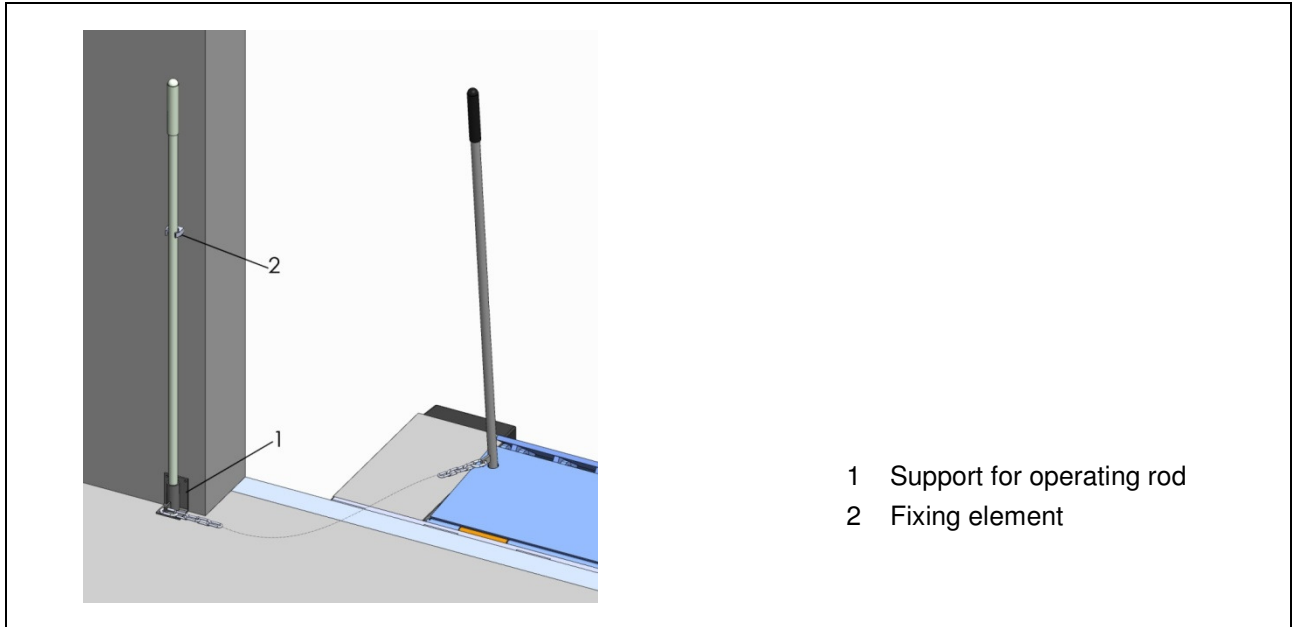
### Swing lip versions

Type P Steel lip  
 Type PS Steel segments  
 Type PSA Aluminium segments

### Buffer options for PECO type P



## Accessories



A wall thickness of < 350 mm requires an additional support element

