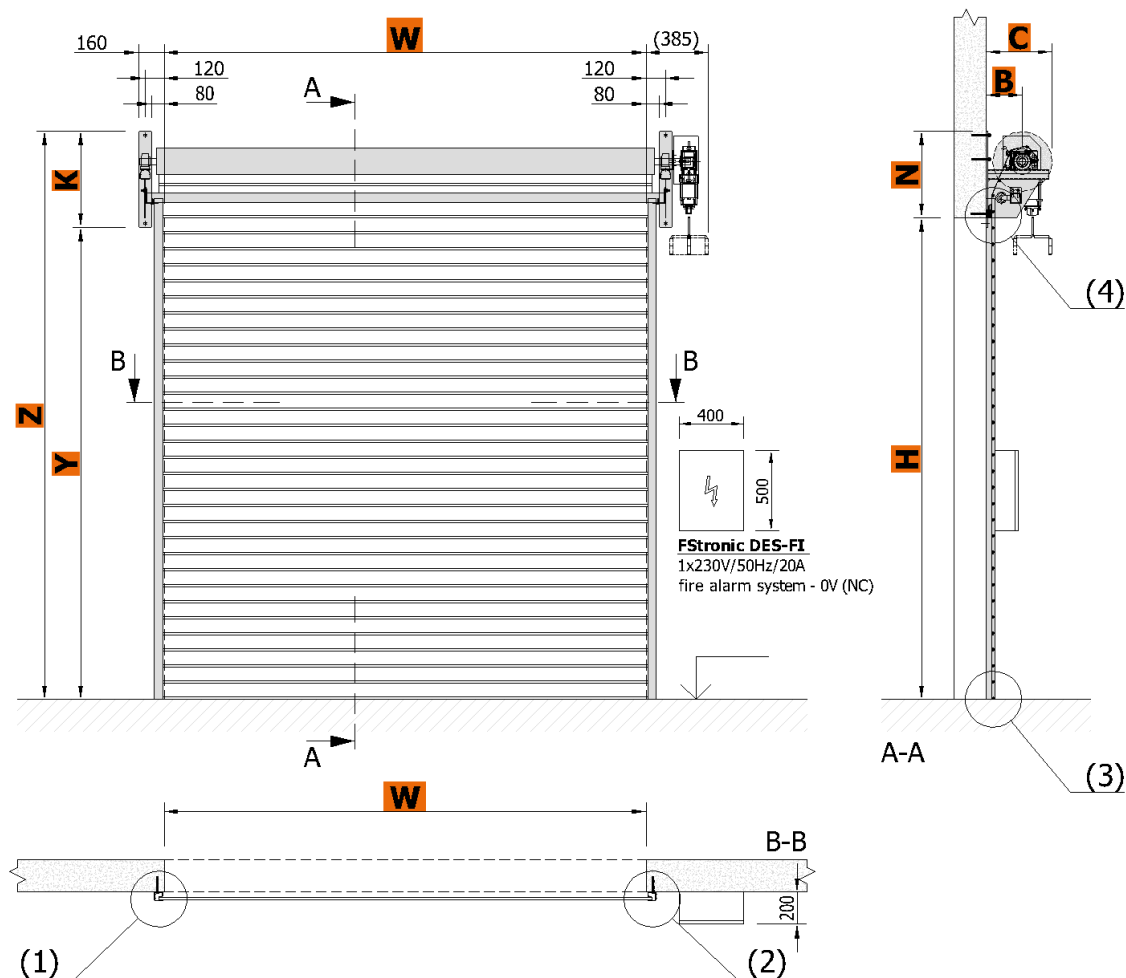




TECHNICAL DATA SHEET ROLLING FIRE SHUTTERS RGS-NI EW 30

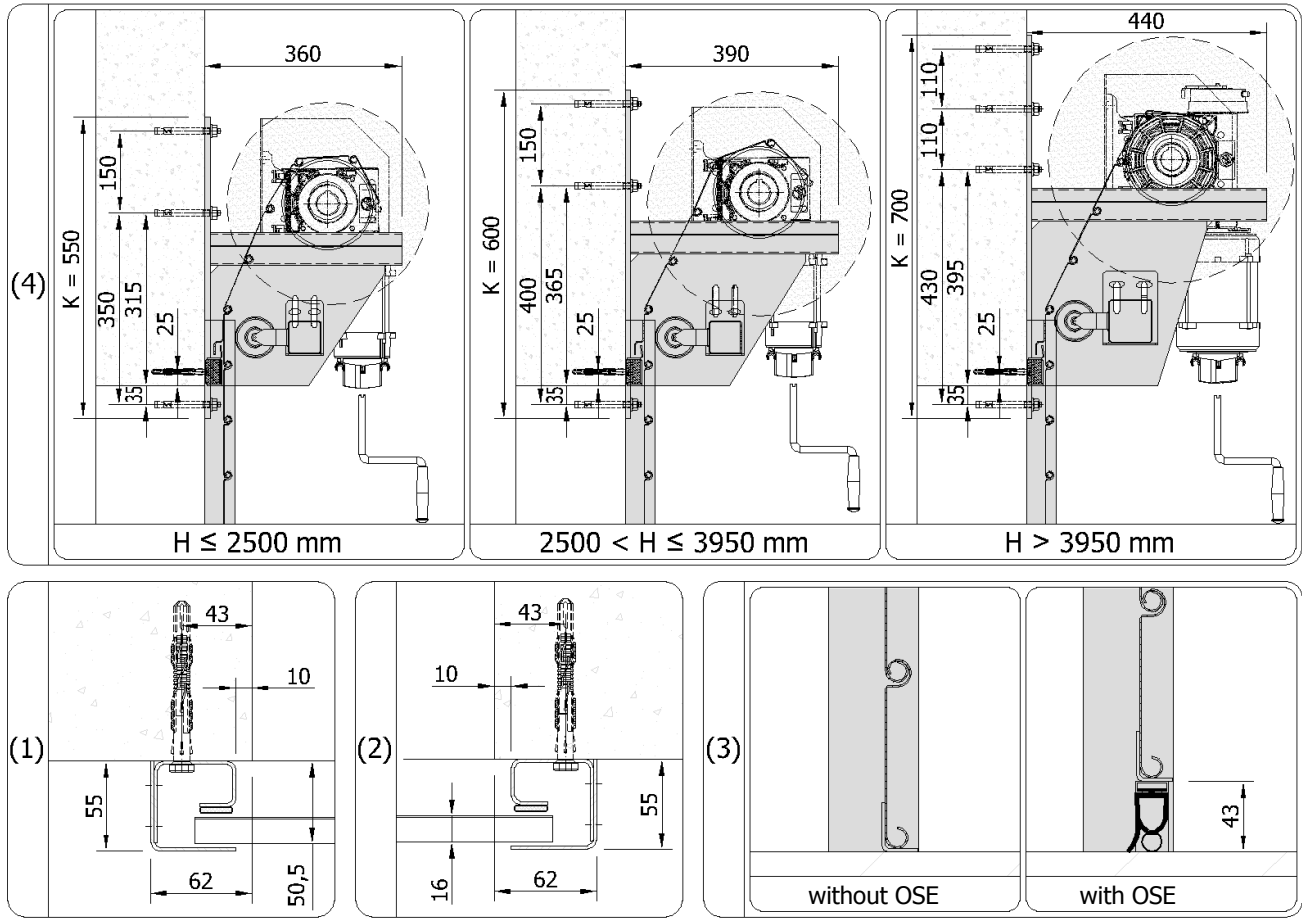
Technical data sheets serve to determine the basic space requirements of rolling fire shutters. Other dimensions or atypical demands can be solved upon request.

RGS-NI EW 30

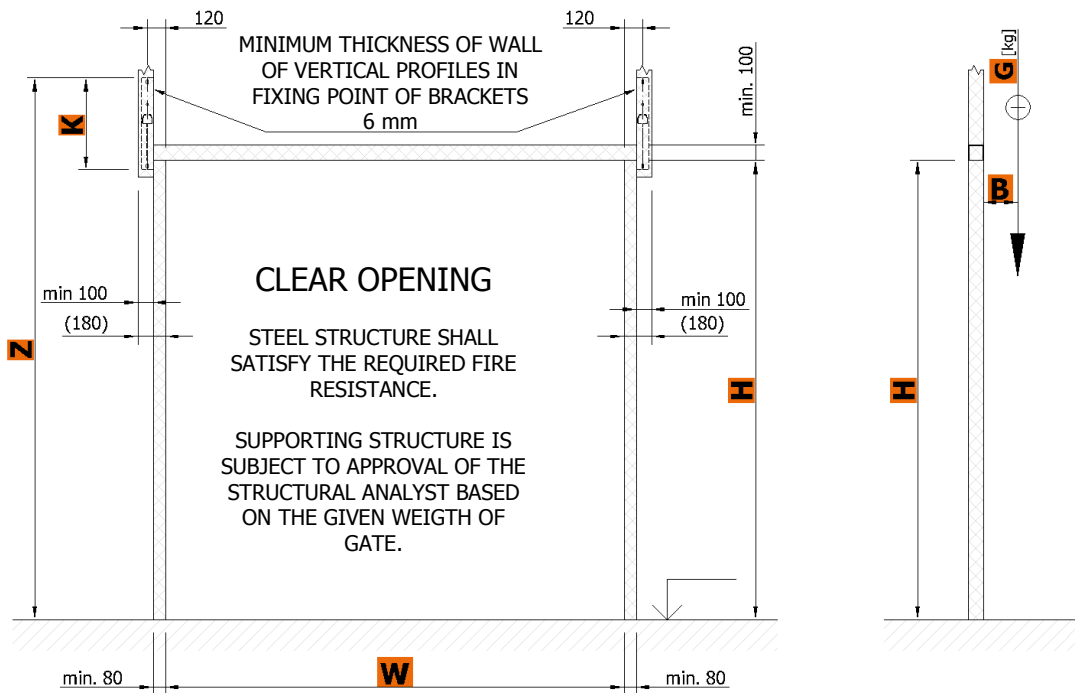


W	opening width	= max. 4000 mm
H	opening height	= max. 4000 mm
N	minimum height of lintel	= (H ≤ 2500) = 500 mm; (2500 < H < 3900) = 560; (H ≥ 3900) = 640 mm
C	max. diameter of rolled-up slats	= 350 mm to 440 mm
K	height of brackets	= (H ≤ 2500) = 550 mm; (2500 < H < 3900) = 600 mm; (H ≥ 3900) = 700 mm
Y	bracket bottom edge from floor	= H - 60 mm
Z	overall height of gate	= H + N
B	distance of axis of roller from wall	= C / 2 + 20

Average weight of slats = 13 kg/m²



Minimum required dimensions of steel structure



Construction readiness of the opening is secured by the customer according to the requirements of the contractor and depending on the type of jamb and lintel of the opening.

Anchor brackets can be fixed with anchor bolts (concrete, solid brick), or to anchor targets with bolts through wall (foam silicate, gas silicate or breeze (hollow) blocks), or to prepared steel structure with appropriate fire resistance (plasterboard wall, sandwich panels etc.). It is necessary to respect the flatness of the wall and the floor with a tolerance of max. 3 mm/m.

Technical changes reserved.