

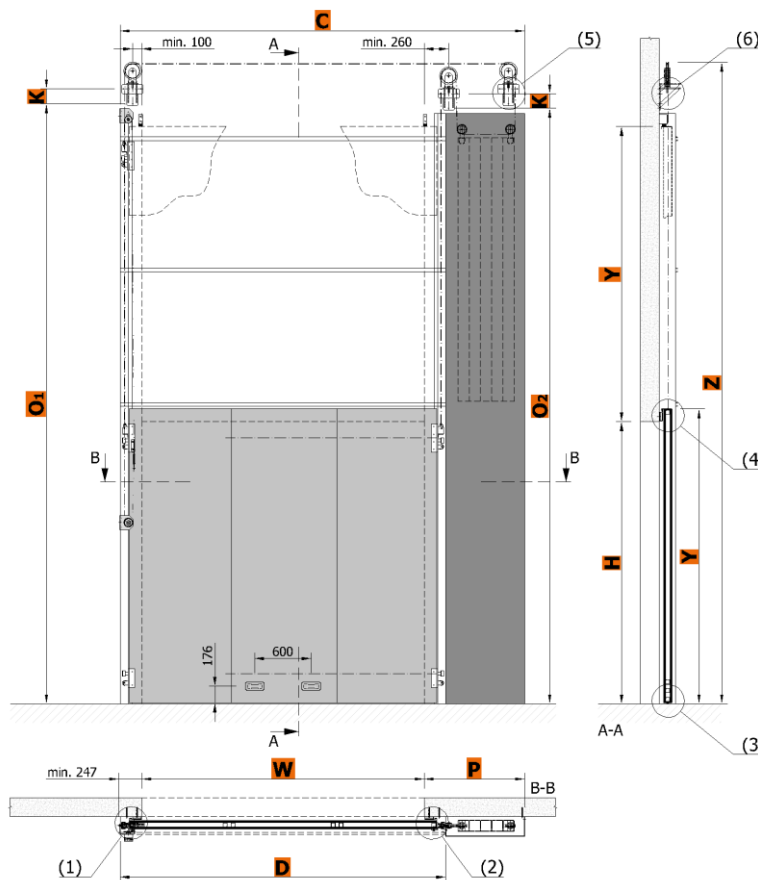


TECHNICAL DATA SHEET VERTICALLY SLIDING FIRE GATES GGG EI 120

Technical data sheets serve to determine the basic space requirements of vertically sliding fire gates. Other dimensions or atypical demands can be solved upon request.

GGG EI 120

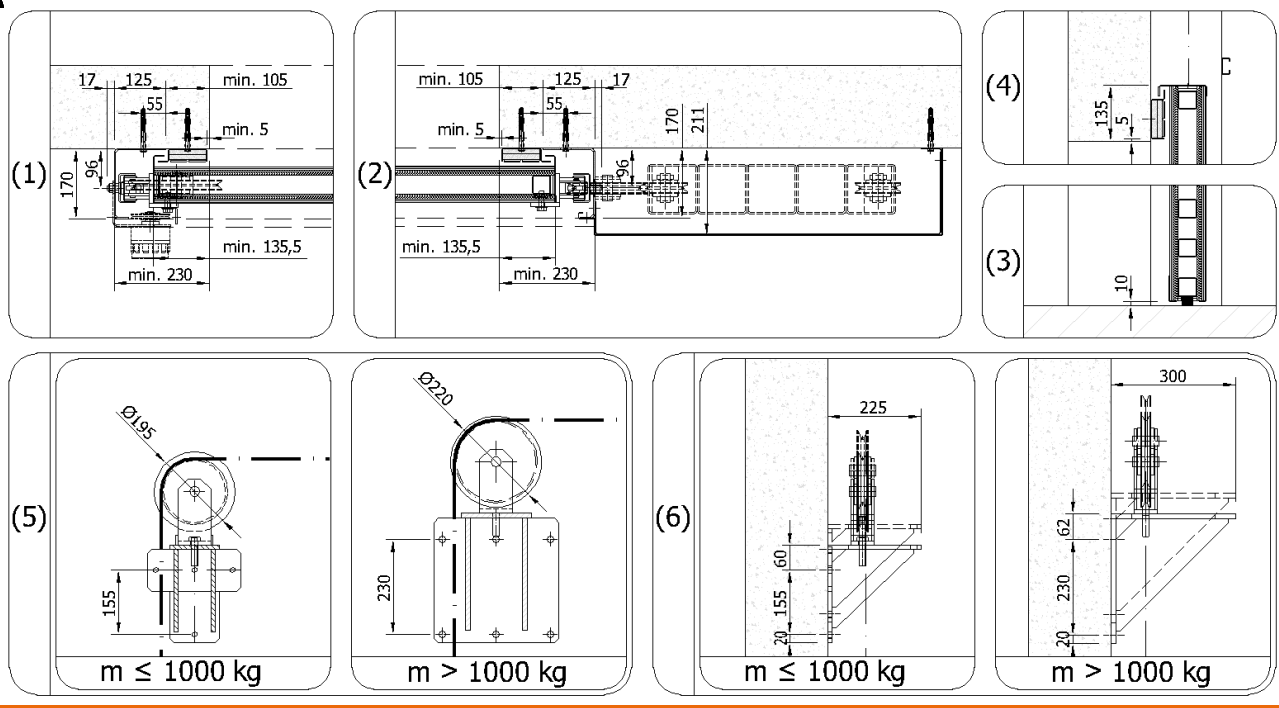
COUNTERWEIGHT ON ONE SIDE



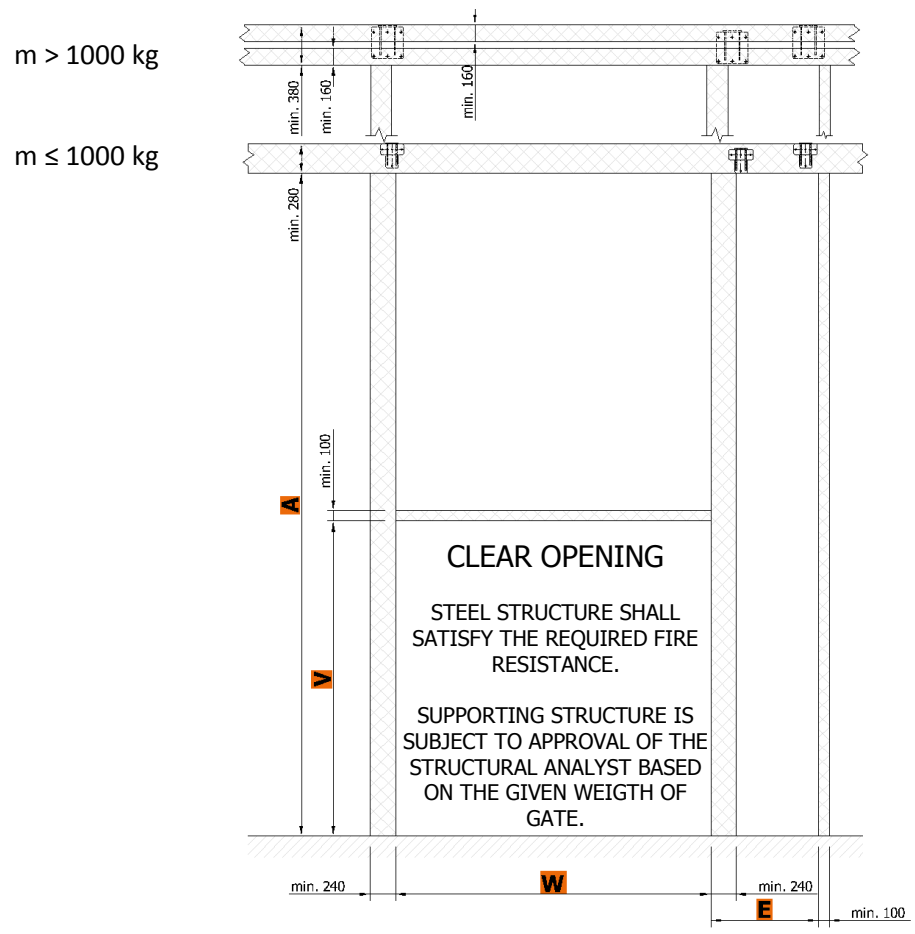
Electromagnetic brake can be additionally changed for motor EPO with control box 1RM1.

W	opening width [mm]		H	opening height [mm]
Y	gate range	=	$H + 135 \text{ mm}$	
D	external pitch of guide tracks	=	$W + 2 \times \text{min. } 230 \text{ mm} (+ 2 \times 17 \text{ mm bolts})$	
C	overall width	=	$W + \text{min. } 247 \text{ mm} + P$	
A	vertical part of steel structure	=	$(m \leq 1000 \text{ kg}) \Rightarrow O_2 - 20 \text{ mm}; (m > 1000 \text{ kg}) \Rightarrow O_2 - 35 \text{ mm}$	
K	pitch of bracket anchor points	=	$(m \leq 1000 \text{ kg}) \Rightarrow 155 \text{ mm}; (m > 1000 \text{ kg}) \Rightarrow 230 \text{ mm}$	
O₁	anchoring axis of edge pulley	=	$H + Y + \text{min. } 245 \text{ mm}$	
O₂	anchoring axis of middle pulley	=	$O_1 - 50 \text{ mm}$	
P	cover of counterweight	=	$815 \text{ mm to } 1235 \text{ mm}$	
Z	overall height	=	$(m \leq 1000 \text{ kg}) \Rightarrow O_1 + 443; (m > 1000 \text{ kg}) \Rightarrow O_1 + 526 \text{ mm}$	
E	edge of steel structure	=	$P - 80 \text{ mm}$	

Average weight of gate leaf = 70 kg/m²



Minimum required dimensions of steel structure



Construction readiness of the opening is secured by the customer according to the requirements of the contractor and depending on the type of jamb and lintel of the opening.

Anchor brackets can be fixed with anchor bolts (concrete, solid brick), or to anchor targets with bolts through wall (foam silicate, gas silicate or breeze (hollow) blocks), or to prepared steel structure with appropriate fire resistance (plasterboard wall, sandwich panels etc.). It is necessary to respect the flatness of the wall and the floor with a tolerance of max. 3 mm/m.

Technical changes reserved.

TECHNICAL DATA SHEET GGS EI 120 COUNTERWEIGHT ON ONE SIDE

