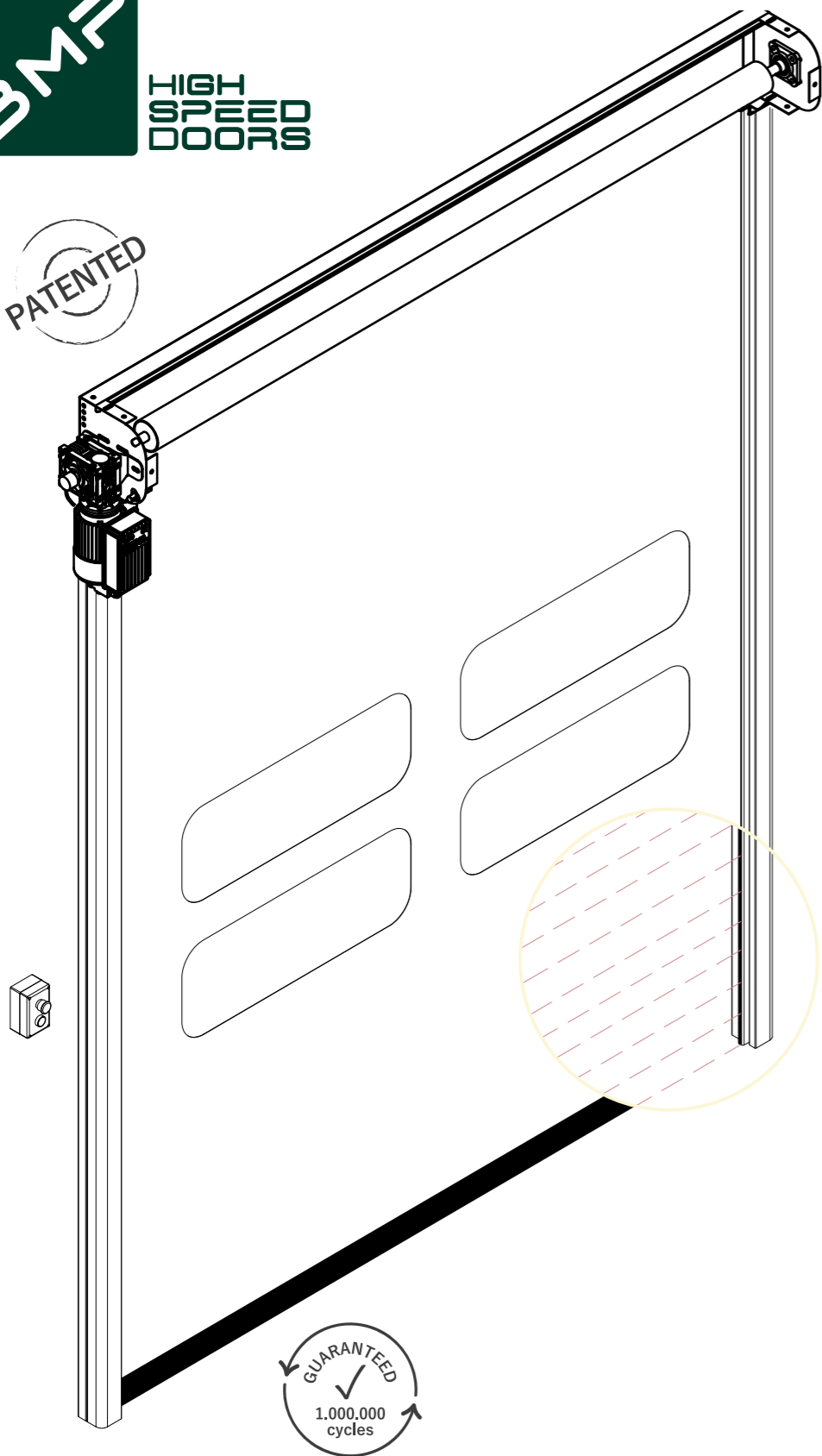
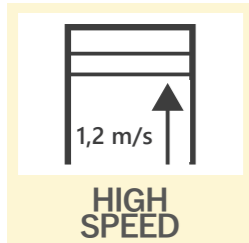




PATENTED



GUARANTEED  
1.000.000  
cycles



# DYNAMICROLL® ONE

## DESCRIPTION

DynamicRoll® **ONE** is a self-repairing roll up equipped by the Dynamicroll® zipper system.

The integrated motor box allows to eliminate costly and unaesthetic electrical and control panel piping.

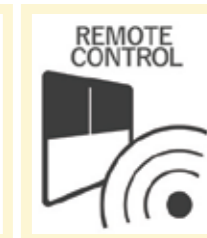
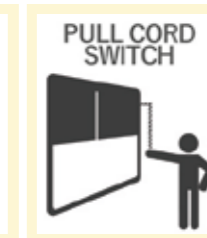
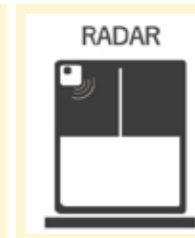
Its patented sliding system allows to work in complete safety: in case of accidental collisions, the curtain comes out from the guides and reinserts to the next cycle.

## ADVANTAGES

- ✓ Self- repairing
- ✓ Rapid
- ✓ Sealing
- ✓ Noiseless
- ✓ No rigid elements inside the curtain for 100% safety
- ✓ Plug & play (easy to install)
- ✓ Low maintenance
- ✓ Energy savings
- ✓ Control panel integrated on motor
- ✓ Available without top cover hood and motor hood

## APPLICATION

- Door ideal for:
- ✓ Supermarket
  - ✓ Car wash
  - ✓ Conveyor lines



## EN13241/CF

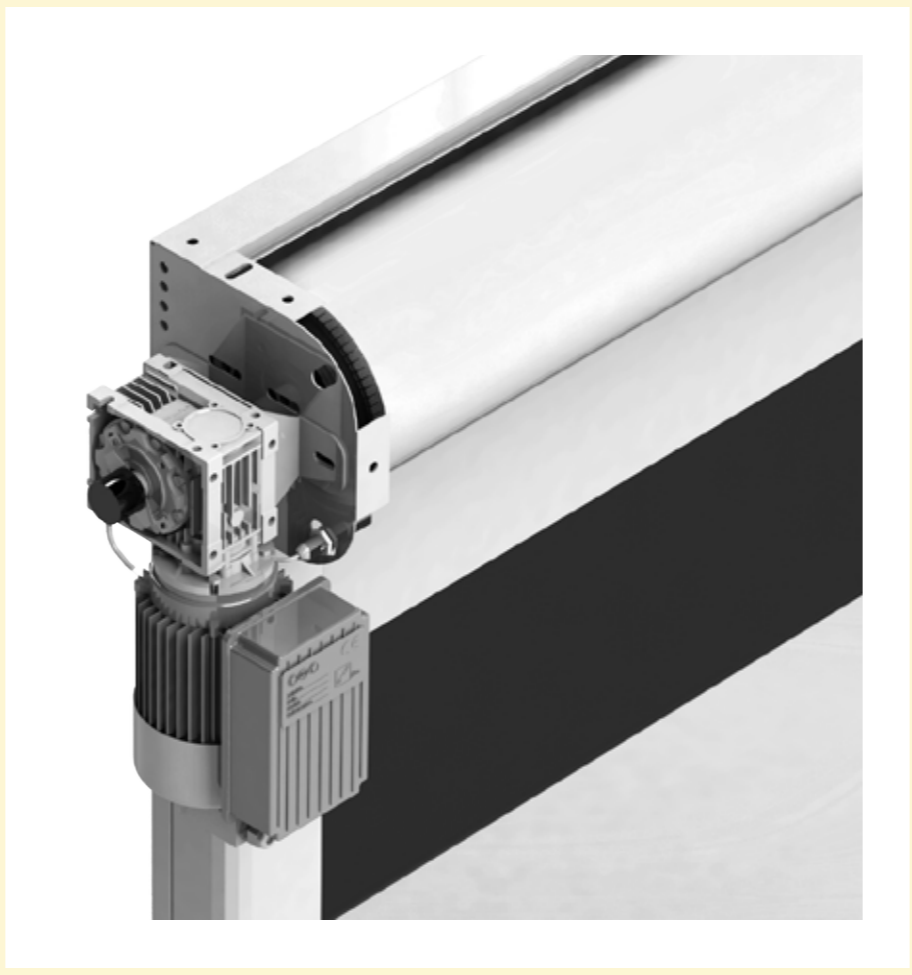
Standard	Ref.	Test acc.	Results
Water permeability	EN 12425	EN 12489	Class 0
Wind load	EN 12424	EN 12444	Class 1
Wind permeability	EN 12426	EN 12427	Class 0
Safe openings	EN 12453	EN 12445	✓
Mechanical resistance	EN 12604	EN 12605	✓
Unintended movements	EN 12604	EN 12605	✓
Thermal transmittance	EN 12428	EN 12428	6,02 W/m²K
Performance (cycles)	EN 12604	EN 12605	1.000.000

VALUES CAN CHANGE DEPENDING ON DOOR DIMENSIONS

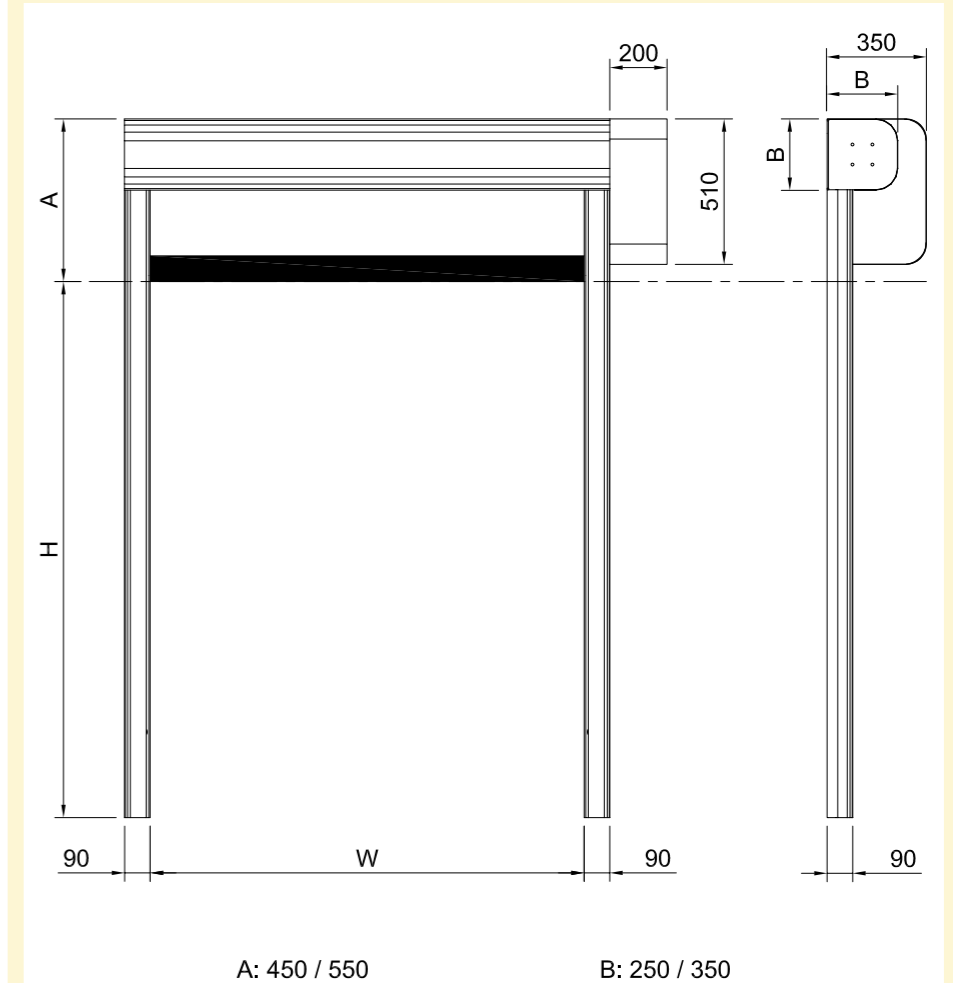
FEATURES	
Maximum dimensions	W 3000 mm x H 3500 mm
Speed	Max opening speed up to 1,2 m/s
	Closing speed 0,8 m/s adjustable
Wind resistance	Class 1
Structure	Not self-supporting
Frame / motor cover hood	Standard: Galvanized Steel
	Optional: Powder coated Steel Stainless Steel 441/ 316
Curtain	Standard: PVC curtain 900 gr/m <sup>2</sup>
	Optional: Insulated 7 mm, 3.3 W/m <sup>2</sup> k Translucent 35/40% FDA (white) Antistatic
Sliding system	Patented sliding system with high density Polyethylene self-lubricant equipped of sliding zipper directly on curtain.
Integrated control panel	Standard: Power supply 1-ph, 230V max 16A Star/Stop Button
	Optional: 2 free contacts (door open/ closed/ allarme) Automatic/ Manual Interlocking between 2 doors
Wiring	Plug and Play system IP65
Safeties	Standard: Photocells set IP65 Anti-jam sensor reverse
	Optional: Multi ray light curtain barrier H2500 IP67

FEATURES	
Emergency opening	Standard: Hand crank
	Optional: Chain system Counterweight system UPS Battery
Advising operative temperature	Operating till positive temperature (> 0° C) - Not apt to be installed in negative/positive temperature
Cycles (EN 12604)	1.000.000 (tested)

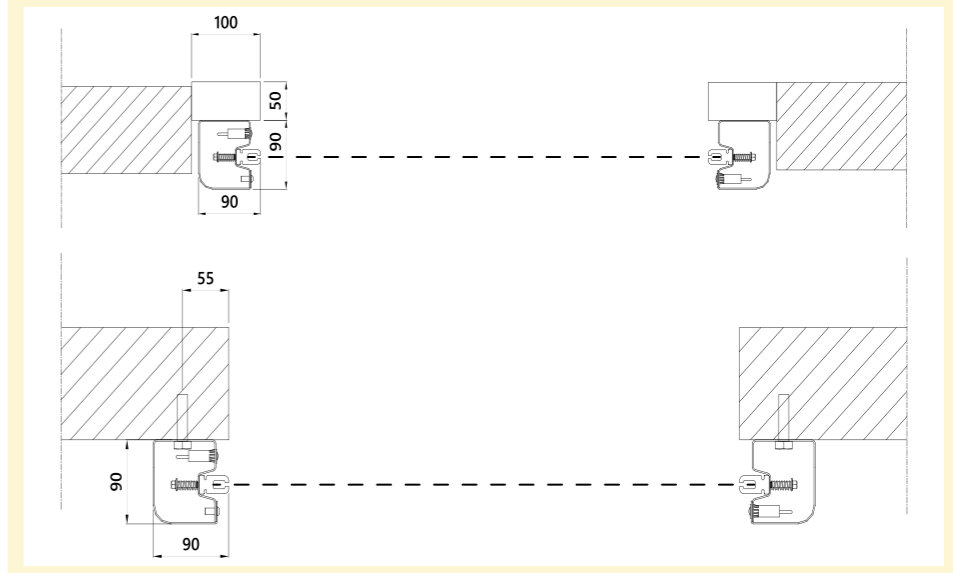
### INTEGRATED CONTROL PANEL



### DOOR SPACE REQUIREMENTS



### FIXING DETAILS



### AVAILABLE COLOURS

Simil RAL 9010	Simil RAL 1015	Simil RAL 2004	Simil RAL 3002	Simil RAL 8014	Simil RAL 9005	Simil RAL 9006	Simil RAL 7037	Simil RAL 7035	Simil RAL 6026	Simil RAL 5010	Simil RAL 5012

\*BMP Europe S.r.l. reserves the right to change the characteristics of its products or components without prior notice, depending on its policy of continuous product development. The doors shown are example applications. No part or excerpt may be reproduced without our prior permission.





# Dynamicroll® One

## ROLL UP DOOR

**DynamicRoll® ONE** is a self-repairing roll up equipped by the Dynamicroll® zipper system.

The integrated motor box allows to eliminate costly and unaesthetic electrical and control panel piping.

Its patented sliding system allows to work in complete safety: in case of accidental collisions, the curtain comes out from the guides and reinserts to the next cycle.

La **DynamicRoll® ONE** è una porta ad avvolgimento rapido autoriparante, dotata del sistema a cerniera della famiglia DynamicRoll®. Con la sua tecnologia semplice e affidabile è la proposta ideale per quelle applicazioni dove non sono richieste sicurezza ed affidabilità.

Il quadro integrato al motore evita l'applicazione delle costose e inestetiche tubazioni elettriche oltre al quadro di comando stesso che, posto normalmente all'esterno, risulta esteticamente poco gradito.

Il telo privo di elementi metallici orizzontali è una garanzia di sicurezza per lavoratori e mezzi, e in caso di urti accidentali fuoriesce dalle guide riallineandosi al ciclo successivo.

## PORTA AD AVVOLGIMENTO RAPIDO

### TECHNICAL DATA / DATI TECNICI

Maximum door size (W x H) / Dimensioni massime (L x H)	3000 x 3500 mm	Opening speed / Velocità d'apertura	~ 1,2 m/sec.
		Closing speed / Velocità di chiusura	0,8 m/sec.*
Wind load / Resistenza al vento:	Class 1 / Classe 1	Applications / Applicazioni	Inside / Interno

\* Adjustable / Regolabile

# Technical data

## PVC CURTAIN / TELO PVC 1,3 mm - 1300 gr/m<sup>2</sup>

Simil RAL 9010 <input type="checkbox"/>	Simil RAL 2004 <input type="checkbox"/>	Simil RAL 7042 <input type="checkbox"/>	Simil RAL 5012 <input type="checkbox"/>
Simil RAL 1015 <input type="checkbox"/>	Simil RAL 3002 <input type="checkbox"/>	Simil RAL 7037 <input type="checkbox"/>	Simil RAL 5002 <input type="checkbox"/>
Simil RAL 1003 <input type="checkbox"/>	Simil RAL 6026 <input type="checkbox"/>	Simil RAL 7035 <input type="checkbox"/>	

Simil RAL 9010 <input type="checkbox"/>	Simil RAL 3002 <input type="checkbox"/>	Simil RAL 7035 <input type="checkbox"/>	Simil RAL 9005 <input type="checkbox"/>
Simil RAL 1015 <input type="checkbox"/>	Simil RAL 8014 <input type="checkbox"/>	Simil RAL 7037 <input type="checkbox"/>	Simil RAL 5010 <input type="checkbox"/>
Simil RAL 1003 <input type="checkbox"/>	Simil RAL 6026 <input type="checkbox"/>	Simil RAL 7042 <input type="checkbox"/>	Simil RAL 5002 <input type="checkbox"/>
Simil RAL 2004 <input type="checkbox"/>	Simil RAL 6018 <input type="checkbox"/>	Simil RAL 9006 <input type="checkbox"/>	Simil RAL 5012 <input type="checkbox"/>

## PVC CURTAIN / TELO PVC 0,9 mm - 900 gr/m<sup>2</sup>



## INSULATED CURTAIN / TELO COIBENTATO 3,5 mm - 1300 gr/m<sup>2</sup>

Simil RAL 9010 <input type="checkbox"/>	Simil RAL 6026 <input type="checkbox"/>	Simil RAL 7035 <input type="checkbox"/>	Simil RAL 5002 <input type="checkbox"/>
---	---	---	---

Simil RAL 9010 <input type="checkbox"/>	Simil RAL 2004 <input type="checkbox"/>	Simil RAL 7035 <input type="checkbox"/>
Simil RAL 1003 <input type="checkbox"/>	Simil RAL 3002 <input type="checkbox"/>	Simil RAL 5002 <input type="checkbox"/>

## INSULATED CURTAIN / TELO COIBENTATO 7 mm

Simil RAL 9010 <input type="checkbox"/>
---

## FOOD CURTAIN (FDA) 1,7 mm - 1700 gr/m<sup>2</sup>



TYPE OF COATING AND FINISH / MATERIALE FINITURA TELO		
Coating material / Materiale	PVC	
Top coating / Finitura	Lacquered finishing on both sides / Laccato su entrambi i lati	
Flammability / Resistenza al fuoco	ISO 3795 < 100 mm/min.	
Best weight / Peso totale	900 / 1300 g/m <sup>2</sup>	DIN EN ISO 2286-2
Tensile strength / Resistenza alla trazione	4300 / 4000 N/50 mm	DIN EN ISO 1421/V1
Tear strength / Resistenza alla lacerazione	500 / 500 N	DIN 53363
Adhesion / Adesione	20 N/cm	LB 3.04-1
Low temperature resistance / Resistenza al freddo	-40 °C	DIN EN 1876-1
High temperature resistance / Resistenza al caldo	+70 °C	LB 3.15
Color fastness to light / Solidità alla luce	>6 Value / Note	DIN EN ISO 105 B02
Bending strenght / Resistenza alle piegature	No creases / Nessuna piega	10.000 x @ DIN 53359 A

TESSUTO DI SUPPORTO / BASE FABRIC		
Material / Materiale	DIN ISO 2076	
Yarn count / Titolo del filato	1100 dtex	DIN ISO 2060
Weave / Armatura	P2/2	
Notes / Note	Complies with DIN EN 12641-2 / Soddisfa i requisiti DIN EN 12641-2	