

DYNAMICROLL® FRIGO 1

DESCRIPTION

DynamicRoll® **FRIGO 1** is a self-repairing roll up door with a special sandwich curtain composed by PVC/ polyethylene expanded/ PVC curtain.

The insulating segments on curtain avoid the icing creating a thermal cut with a continuous insulation on curtain. Thickness off curtain is of about 18mm.

The frame structure is equipped with heating cables placed in the sliding system and in connections to avoid condensation and icing of curtain.

These features make door ideal for refrigeration field to divide environments with different temperatures with humidity less then 30%.

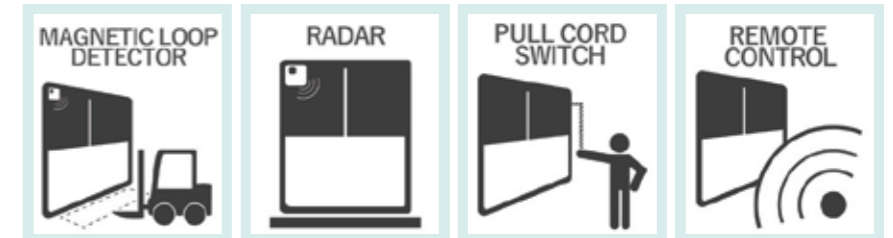
ADVANTAGES

- ✓ Self- repairing
- ✓ Rapid
- ✓ Sealing
- ✓ Noiseless
- ✓ No rigid elements inside the curtain for 100% safety
- ✓ Plug & play (easy to install)
- ✓ Low maintenance
- ✓ Insulating - Thermal K 2,2 Wm² K

APPLICATION

Door ideal solution for:

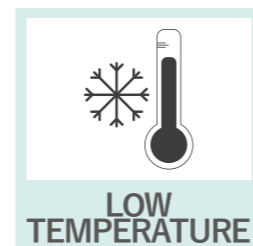
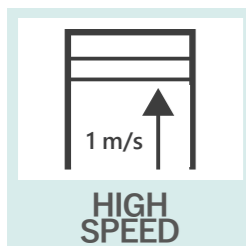
- ✓ Refrigeration industry
- ✓ Ideal for environments with controlled humidity level <30%



EN13241/CF

Standard	Ref.	Test acc.	Results
Water permeability	EN 12425	EN 12489	Class 1
Wind load	EN 12424	EN 12444	Class 2
Wind permeability	EN 12426	EN 12427	Class 1
Safe openings	EN 12453	EN 12445	✓
Mechanical resistance	EN 12604	EN 12605	✓
Unintended movements	EN 12604	EN 12605	✓
Thermal transmittance	EN 12428	EN 12428	2,2 W/m ² K
Performance (cycles)	EN 12604	EN 12605	1.000.000

VALUES CAN CHANGE DEPENDING ON DOOR DIMENSIONS



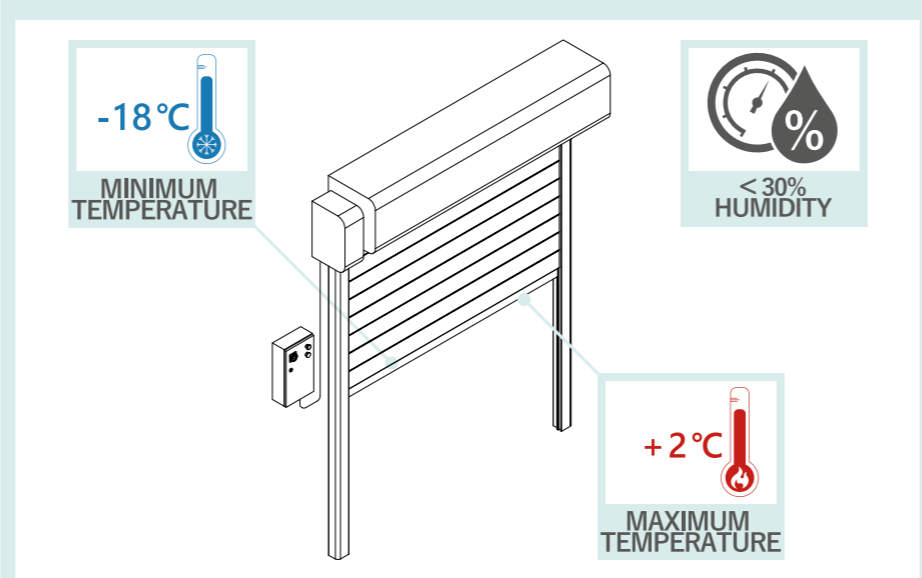
FEATURES

Maximum dimensions	W 4000 mm x H 4500 mm
Speed	Max opening speed up to 1 m/s
	Closing speed 0,6 m/s
Wind resistance	Class 2
Structure	Not self-supporting
Frame / motor cover hood	Standard: Galvanized Steel
	Optional: Powder coated Steel Stainless Steel 441/ 316
Curtain	Standard: Double curtains welded with expanded polyethylene insulating 18 mm thick.
	Optional: Insulated 7 mm, 3.3 W/m ² k FDA (white) Antistatic
Sliding system	Patented sliding system with high density Polyethylene self-lubricant equipped of sliding zipper directly on curtain.
Control panel	Standard: Powder coated Steel box IP54 (300 x 500 x 150 mm)
	Optional: Stainless Steel PVC box IP65 (300 x 400 x 150 mm)
	Inverter system 50/60 Hz with absolute encoder
	Power supply 1-ph, 230V max 16A
	Power supply 3-ph, 400V max 10A
	Power supply 3-ph, 230V max 16A
	Star/Stop Button
	2 free contacts (door open/ closed/ allarme)
	Automatic/ Manual Interlocking between 2 doors
	IP rating for motor and control panel IP54
Wiring	Plug and Play system IP65
Safeties	Standard: Photocells set IP65 Anti-jam sensor reverse WiFi safety edge IP65
	Optional: Multi ray light curtain barrier H2500 IP67

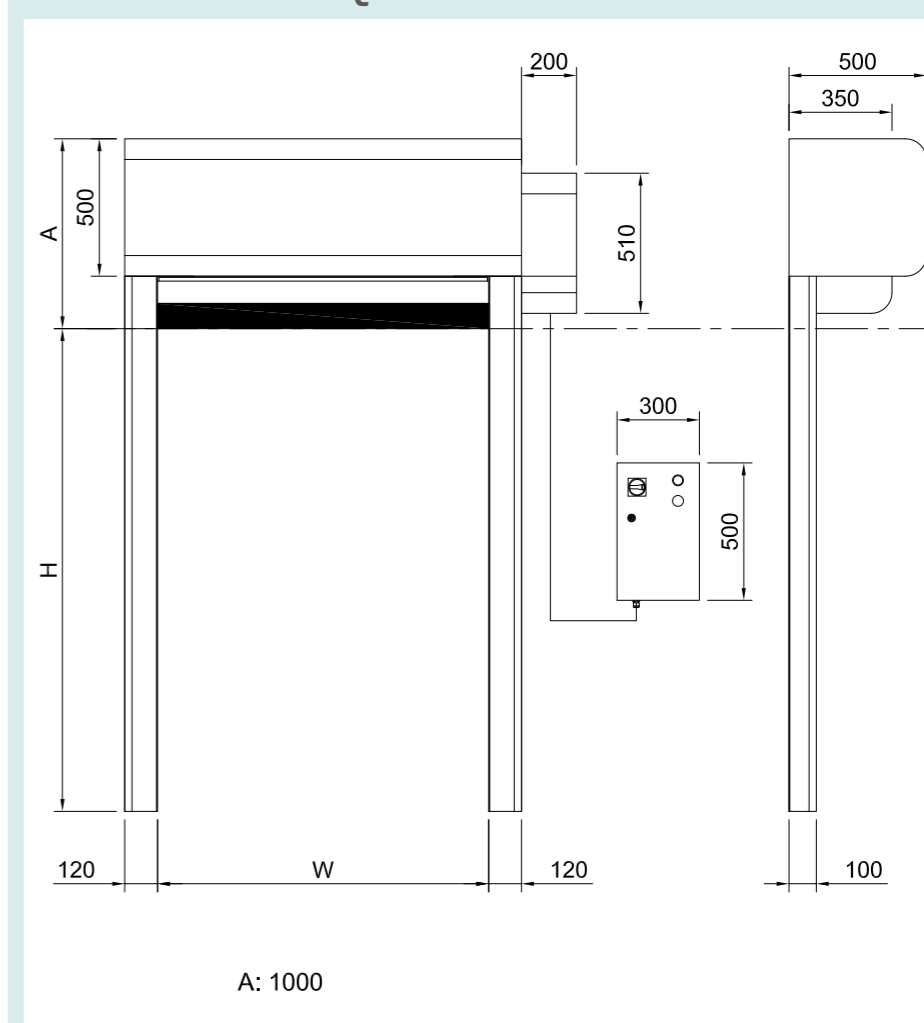
FEATURES

Emergency opening	Standard: Hand crank
	Optional: Chain system Counterweight system UPS Battery
Heating Kit	Heater on electrical components and mechanical, heating cable 30W ml
Cycles (EN12604)	1.000.000 (tested)

ADVISING OPERATIVE TEMPERATURE



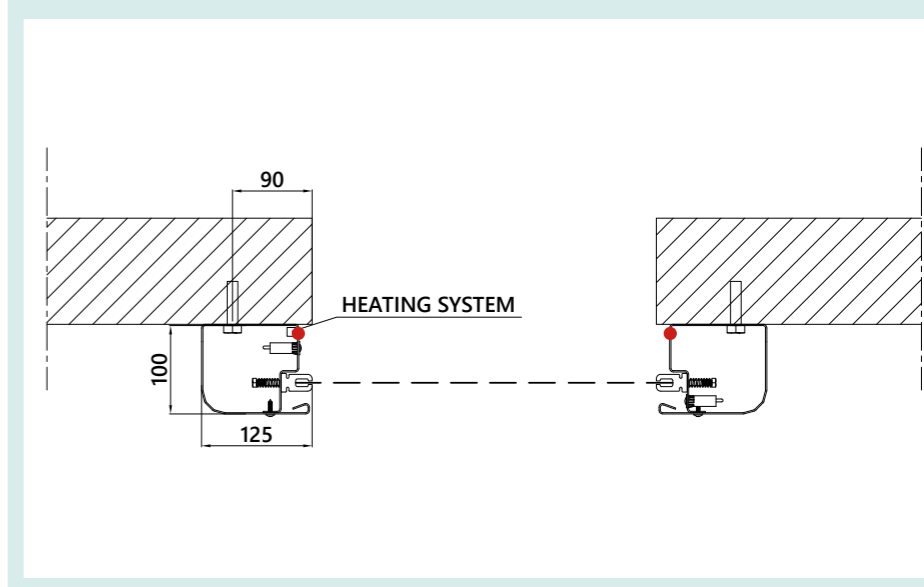
DOOR SPACE REQUIREMENTS



SLIDING SYSTEM / SELF-REPAIRING



FIXING DETAILS



AVAILABLE COLOURS

Simil RAL 9010

Simil RAL 1015

Simil RAL 1003

Simil RAL 2004

Simil RAL 3002

Simil RAL 8014

Simil RAL 9005

Simil RAL 9006

Simil RAL 7042

Simil RAL 7037

Simil RAL 7035

Simil RAL 6018

Simil RAL 6026

Simil RAL 5010

Simil RAL 5002

Simil RAL 5012

*BMP Europe S.r.l. reserves the right to change the characteristics of its products or components without prior notice, depending on its policy of continuous product development. The doors shown are example applications. No part or excerpt may be reproduced without our prior permission.



Technical data

PVC CURTAIN / TELO PVC 1,3 mm - 1300 gr/m²

Simil RAL 9010 <input type="checkbox"/>	Simil RAL 2004 <input type="checkbox"/>	Simil RAL 7042 <input type="checkbox"/>	Simil RAL 5012 <input type="checkbox"/>
Simil RAL 1015 <input type="checkbox"/>	Simil RAL 3002 <input type="checkbox"/>	Simil RAL 7037 <input type="checkbox"/>	Simil RAL 5002 <input type="checkbox"/>
Simil RAL 1003 <input type="checkbox"/>	Simil RAL 6026 <input type="checkbox"/>	Simil RAL 7035 <input type="checkbox"/>	

Simil RAL 9010 <input type="checkbox"/>	Simil RAL 3002 <input type="checkbox"/>	Simil RAL 7035 <input type="checkbox"/>	Simil RAL 9005 <input type="checkbox"/>
Simil RAL 1015 <input type="checkbox"/>	Simil RAL 8014 <input type="checkbox"/>	Simil RAL 7037 <input type="checkbox"/>	Simil RAL 5010 <input type="checkbox"/>
Simil RAL 1003 <input type="checkbox"/>	Simil RAL 6026 <input type="checkbox"/>	Simil RAL 7042 <input type="checkbox"/>	Simil RAL 5002 <input type="checkbox"/>
Simil RAL 2004 <input type="checkbox"/>	Simil RAL 6018 <input type="checkbox"/>	Simil RAL 9006 <input type="checkbox"/>	Simil RAL 5012 <input type="checkbox"/>

PVC CURTAIN / TELO PVC 0,9 mm - 900 gr/m²



INSULATED CURTAIN / TELO COIBENTATO 3,5 mm - 1300 gr/m²

Simil RAL 9010 <input type="checkbox"/>	Simil RAL 6026 <input type="checkbox"/>	Simil RAL 7035 <input type="checkbox"/>	Simil RAL 5002 <input type="checkbox"/>
-----------------------------------------	-----------------------------------------	-----------------------------------------	-----------------------------------------

Simil RAL 9010 <input type="checkbox"/>	Simil RAL 2004 <input type="checkbox"/>	Simil RAL 7035 <input type="checkbox"/>
Simil RAL 1003 <input type="checkbox"/>	Simil RAL 3002 <input type="checkbox"/>	Simil RAL 5002 <input type="checkbox"/>

INSULATED CURTAIN / TELO COIBENTATO 7 mm

Simil RAL 9010 <input type="checkbox"/>

FOOD CURTAIN (FDA) 1,7 mm - 1700 gr/m²

TYPE OF COATING AND FINISH / MATERIALE FINITURA TELO		
Coating material / Materiale	PVC	
Top coating / Finitura	Lacquered finishing on both sides / Laccato su entrambi i lati	
Flammability / Resistenza al fuoco	ISO 3795 < 100 mm/min.	
Best weight / Peso totale	900 / 1300 g/m ²	DIN EN ISO 2286-2
Tensile strength / Resistenza alla trazione	4300 / 4000 N/50 mm	DIN EN ISO 1421/V1
Tear strength / Resistenza alla lacerazione	500 / 500 N	DIN 53363
Adhesion / Adesione	20 N/cm	LB 3.04-1
Low temperature resistance / Resistenza al freddo	-40 °C	DIN EN 1876-1
High temperature resistance / Resistenza al caldo	+70 °C	LB 3.15
Color fastness to light / Solidità alla luce	>6 Value / Note	DIN EN ISO 105 B02
Bending strenght / Resistenza alle piegature	No creases / Nessuna piega	10.000 x @ DIN 53359 A

TESSUTO DI SUPPORTO / BASE FABRIC		
Material / Materiale	DIN ISO 2076	
Yarn count / Titolo del filato	1100 dtex	DIN ISO 2060
Weave / Armatura	P2/2	
Notes / Note	Complies with DIN EN 12641-2 / Soddisfa i requisiti DIN EN 12641-2	



SELF REPAIRING HIGH SPEED DOOR

DynamicRoll® FRIGO 1 is specially designed for refrigeration field. Thanks to the high degree of thermal insulation is ideal to divide environments with different temperatures.

Fast and flexible self-repairing industrial closure, DynamicRoll® FRIGO 1 is equipped with a curtain made of insulating panels and ensures good thermal transmittance quality to avoid any heat loss.

La **DynamicRoll® FRIGO 1** è stata appositamente studiata per il settore della refrigerazione. Grazie all'elevato grado di isolamento termico è l'ideale per la divisione di ambienti a temperatura differente.

Chiusura industriale autoriparante rapida e flessibile, la DynamicRoll® FRIGO 1 è dotata di telo con pannelli isolanti e buona trasmittanza termica per evitare ogni dispersione di calore.

PORTA RAPIDA AUTORIPARANTE

TECHNICAL DATA / DATI TECNICI

Maximum door size (W x H) / Dimensioni massime (L x H)	4000 x 4500 mm	Opening speed / Velocità d'apertura	~ 1 m/sec.
		Closing speed / Velocità di chiusura	0,6 m/sec.
Wind load / Resistenza al vento:	Class 2 / Classe 2	Applications / Applicazioni	Inside / Interno