

# DYNAMICROLL® FRIGO 2

## DESCRIPTION

DynamicRoll® **FRIGO 2** is a self-repairing roll up door equipped of 2 curtains without any rigid elements inside, divided by 200mm and in closed position make air space insulated.

This technology makes the door ideal to reach the refrigeration field needs, where it's often needed to separate environments with positive temperature and negative one, avoiding the condensation and icing, situation dangerous for workers and for proper operation of door itself.

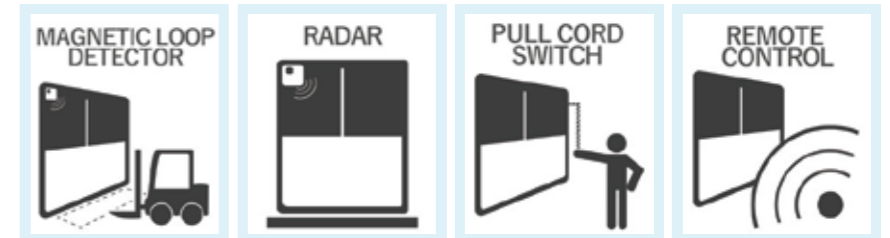
DynamicRoll® FRIGO 2 can be installed both in positive and negative temperature and it's a guaranteed of safety for workers and means, thanks to its curtains without any horizontal rigid elements and to the special sliding system let the curtains in case of any crash, during the operation of the door, go out and being reinserted after one cycle.

## ADVANTAGES

- ✓ Self-repairing
- ✓ Rapid
- ✓ Sealing
- ✓ Noiseless
- ✓ No rigid elements inside the curtain for 100% safety
- ✓ Plug & play (easy to install)
- ✓ Low maintenance
- ✓ Energy savings
- ✓ Allow the traffic flows in safety between areas of high temperature gap
- ✓ Double PVC curtains (airspace between 200 mm)

## APPLICATION

- Double curtains door** ideal solution for:
- ✓ Refrigeration industry
  - ✓ Ideal to manage high temperatures difference even without a humidity controlled system



## EN13241/CF

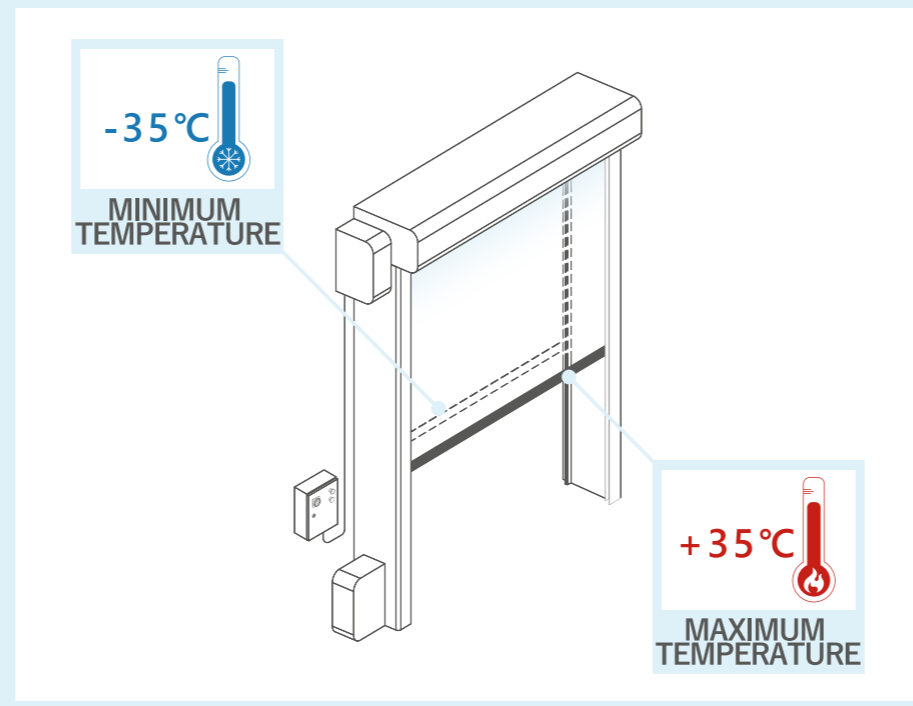
| Standard              | Ref.     | Test acc. | Results    |
|-----------------------|----------|-----------|------------|
| Water permeability    | EN 12425 | EN 12489  | Class 1    |
| Wind load             | EN 12424 | EN 12444  | Class 4    |
| Wind permeability     | EN 12426 | EN 12427  | Class 4    |
| Safe openings         | EN 12453 | EN 12445  | ✓          |
| Mechanical resistance | EN 12604 | EN 12605  | ✓          |
| Unintended movements  | EN 12604 | EN 12605  | ✓          |
| Thermal transmittance | EN 12428 | EN 12428  | 6,02 W/m²K |
| Performance (cycles)  | EN 12604 | EN 12605  | 1.000.000  |

VALUES CAN CHANGE DEPENDING ON DOOR DIMENSIONS

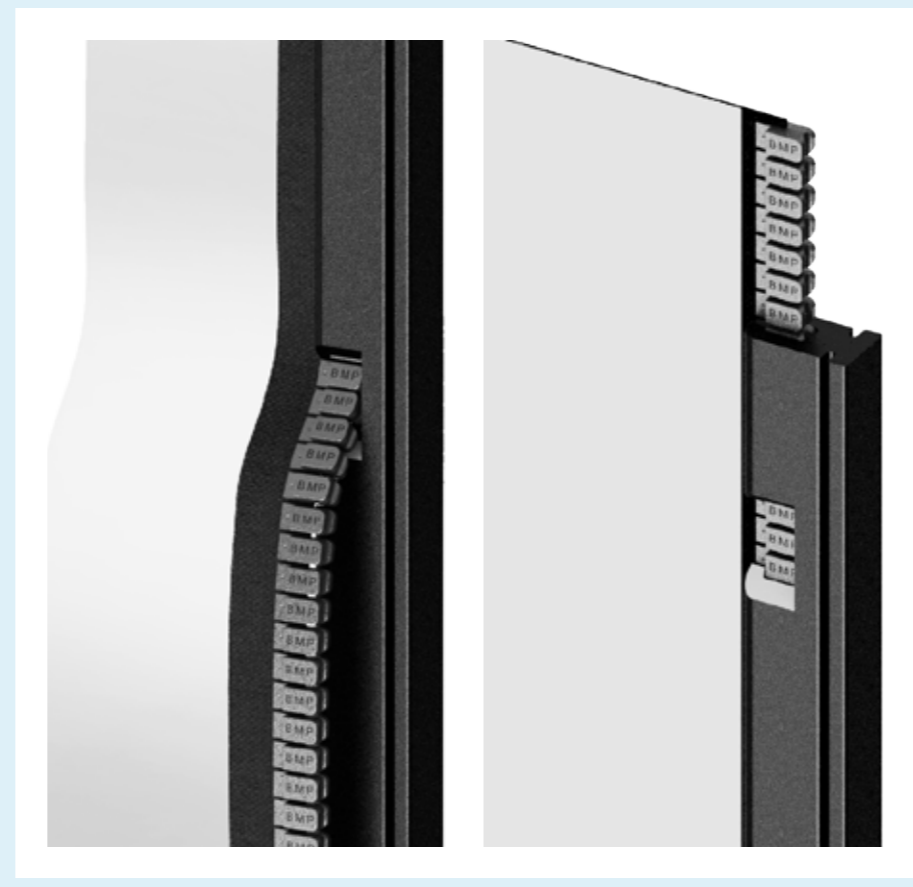
## FEATURES

|                          |   |
|--------------------------|---|
| Maximum dimensions       | W 6000 mm x H 7000 mm   |
| Speed                    | Max opening speed up to 1,8 m/s   |
|                          | Closing speed 0,8 m/s   |
| Wind resistance          | Class 2   |
| Structure                | Not self-supporting   |
| Frame / motor cover hood | <b>Standard:</b> Galvanized Steel<br>Powder coated Steel  |
|                          | <b>Optional:</b> Stainless Steel 304/316  |
| Curtain                  | <b>Standard:</b> PVC curtain 900 gr/m <sup>2</sup>  |
| Sliding system           | Patented sliding system with high density Polyethylene self-lubricant equipped of sliding zipper directly on curtain. |
| Control panel            | Power supply 3-ph, 230 V  |
|                          | Power supply 3-ph + N 380 V   |
|                          | Inverter system 50/60 Hz with absolute encoder<br>IP rating for motor and control panel IP54                          |
| Wiring                   | Plug and Play system IP65   |
| Safeties                 | <b>Standard:</b> Photocells set IP65<br>Anti-jam sensor reverse<br>WiFi safety edge IP65                              |
|                          | <b>Optional:</b> Multi ray light curtain barrier H2500 IP67   |
| Emergency opening        | <b>Standard:</b> Hand crank   |
|                          | <b>Optional:</b> Chain system<br>UPS Battery  |
| Heating kit              | <b>A:</b> Heater on electrical components and mechanical, heating cable 30W ml  |
|                          | <b>B:</b> Heater in air space with warm air blower 3,7 KW max.  |
| Cycles (EN12604)         | 1.000.000 (tested)  |

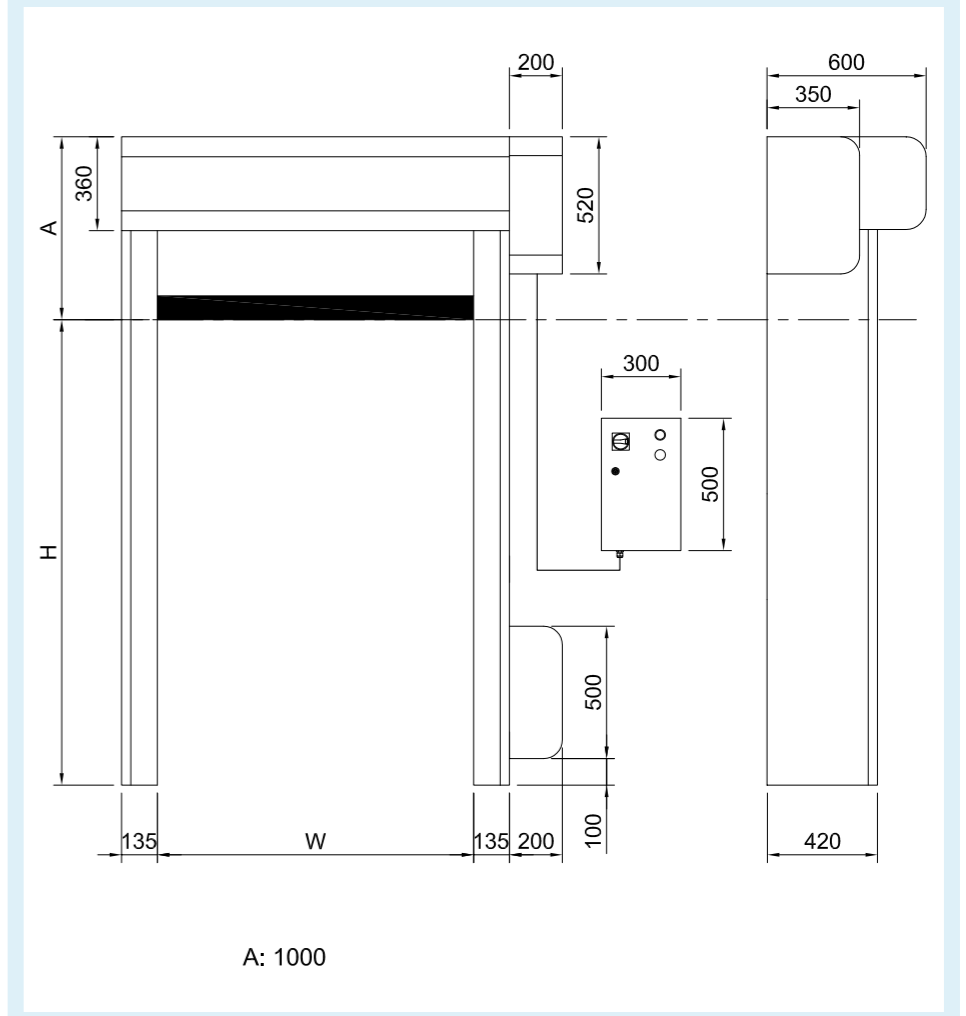
## ADVISING OPERATIVE TEMPERATURE



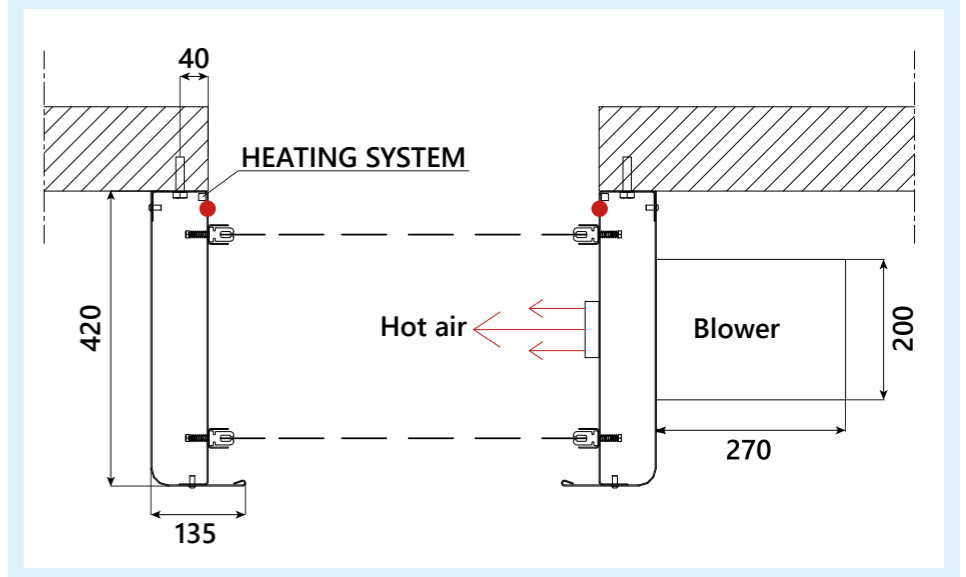
## SLIDING SYSTEM / SELF-REPAIRING



## DOOR SPACE REQUIREMENTS



## FIXING DETAILS



## AVAILABLE COLOURS

Simil RAL 9010

Simil RAL 1015

Simil RAL 1003

Simil RAL 2004

Simil RAL 3002

Simil RAL 8014

Simil RAL 9005

Simil RAL 9006

Simil RAL 7042

Simil RAL 7037

Simil RAL 7035

Simil RAL 6018

Simil RAL 6026

Simil RAL 5010

Simil RAL 5002

Simil RAL 5012

\*BMP Europe S.r.l. reserves the right to change the characteristics of its products or components without prior notice, depending on its policy of continuous product development. The doors shown are example applications. No part or excerpt may be reproduced without our prior permission.





# DynamicRoll® Frigo 2

# Technical data



**DynamicRoll® FRIGO 2** is equipped with two separated curtains to create an insulated air space in closed position. It is ideal in refrigeration industry to separate environments with very high thermal conditions differences, as it prevents icing and condensation.

La **DynamicRoll® FRIGO 2** è dotata di due manti separati tra loro per la creazione di una camera d'aria isolata in posizione di chiusura. È ideale nel settore della refrigerazione, per la separazione di ambienti con condizioni termiche estremamente differenti, in quanto evita la formazione di ghiaccio o condensa.

## PVC CURTAIN / TELO PVC 1,3 mm - 1300 gr/m<sup>2</sup>

- |   |   |   |   |
|---|---|---|---|
| Simil RAL 9010 <input type="checkbox"/> | Simil RAL 2004 <input type="checkbox"/> | Simil RAL 7042 <input type="checkbox"/> | Simil RAL 5012 <input type="checkbox"/> |
| Simil RAL 1015 <input type="checkbox"/> | Simil RAL 3002 <input type="checkbox"/> | Simil RAL 7037 <input type="checkbox"/> | Simil RAL 5002 <input type="checkbox"/> |
| Simil RAL 1003 <input type="checkbox"/> | Simil RAL 6026 <input type="checkbox"/> | Simil RAL 7035 <input type="checkbox"/> |   |

- |   |   |   |   |
|---|---|---|---|
| Simil RAL 9010 <input type="checkbox"/> | Simil RAL 3002 <input type="checkbox"/> | Simil RAL 7035 <input type="checkbox"/> | Simil RAL 9005 <input type="checkbox"/> |
| Simil RAL 1015 <input type="checkbox"/> | Simil RAL 8014 <input type="checkbox"/> | Simil RAL 7037 <input type="checkbox"/> | Simil RAL 5010 <input type="checkbox"/> |
| Simil RAL 1003 <input type="checkbox"/> | Simil RAL 6026 <input type="checkbox"/> | Simil RAL 7042 <input type="checkbox"/> | Simil RAL 5002 <input type="checkbox"/> |
| Simil RAL 2004 <input type="checkbox"/> | Simil RAL 6018 <input type="checkbox"/> | Simil RAL 9006 <input type="checkbox"/> | Simil RAL 5012 <input type="checkbox"/> |

## PVC CURTAIN / TELO PVC 0,9 mm - 900 gr/m<sup>2</sup>



## INSULATED CURTAIN / TELO COIBENTATO 3,5 mm - 1300 gr/m<sup>2</sup>

- |   |   |   |   |
|---|---|---|---|
| Simil RAL 9010 <input type="checkbox"/> | Simil RAL 6026 <input type="checkbox"/> | Simil RAL 7035 <input type="checkbox"/> | Simil RAL 5002 <input type="checkbox"/> |
|---|---|---|---|

- |   |   |   |
|---|---|---|
| Simil RAL 9010 <input type="checkbox"/> | Simil RAL 2004 <input type="checkbox"/> | Simil RAL 7035 <input type="checkbox"/> |
| Simil RAL 1003 <input type="checkbox"/> | Simil RAL 3002 <input type="checkbox"/> | Simil RAL 5002 <input type="checkbox"/> |

## INSULATED CURTAIN / TELO COIBENTATO 7 mm

- |   |
|---|
| Simil RAL 9010 <input type="checkbox"/> |
|---|

## FOOD CURTAIN (FDA) 1,7 mm - 1700 gr/m<sup>2</sup>



| TYPE OF COATING AND FINISH / MATERIALE FINITURA TELO |  |                           |
|--|--|---------------------------|
| Coating material / Materiale                         | PVC  |                           |
| Top coating / Finitura                               | Lacquered finishing on both sides / Laccato su entrambi i lati |                           |
| Flammability / Resistenza al fuoco                   | ISO 3795 < 100 mm/min.   |                           |
| Best weight / Peso totale                            | 900 / 1300 g/m <sup>2</sup>                                    | DIN EN ISO 2286-2         |
| Tensile strength / Resistenza alla trazione          | 4300 / 4000 N/50 mm  | DIN EN ISO 1421/V1        |
| Tear strength / Resistenza alla lacerazione          | 500 / 500 N  | DIN 53363                 |
| Adhesion / Adesione                                  | 20 N/cm  | LB 3.04-1                 |
| Low temperature resistance / Resistenza al freddo    | -40 °C   | DIN EN 1876-1             |
| High temperature resistance / Resistenza al caldo    | +70 °C   | LB 3.15                   |
| Color fastness to light / Solidità alla luce         | >6 Value / Note  | DIN EN ISO 105 B02        |
| Bending strenght / Resistenza alle piegature         | No creases / Nessuna piega                                     | 10.000 x @<br>DIN 53359 A |

| TESSUTO DI SUPPORTO / BASE FABRIC |  |              |
|-----------------------------------|--|--------------|
| Material / Materiale              | DIN ISO 2076   |              |
| Yarn count / Titolo del filato    | 1100 dtex  | DIN ISO 2060 |
| Weave / Armatura                  | P2/2   |              |
| Notes / Note                      | Complies with DIN EN 12641-2 / Soddisfa i requisiti DIN EN 12641-2 |              |

### TECHNICAL DATA / DATI TECNICI

|  |                    |                                      |                  |
|--|--------------------|--------------------------------------|------------------|
| Maximum door size (W x H) / Dimensioni massime (L x H) | 6000 x 7000 mm     | Opening speed / Velocità d'apertura  | ~ 1,8 m/sec.     |
|  |                    | Closing speed / Velocità di chiusura | 0,8 m/sec.       |
| Wind load / Resistenza al vento:                       | Class 2 / Classe 2 | Applications / Applicazioni          | Inside / Interno |