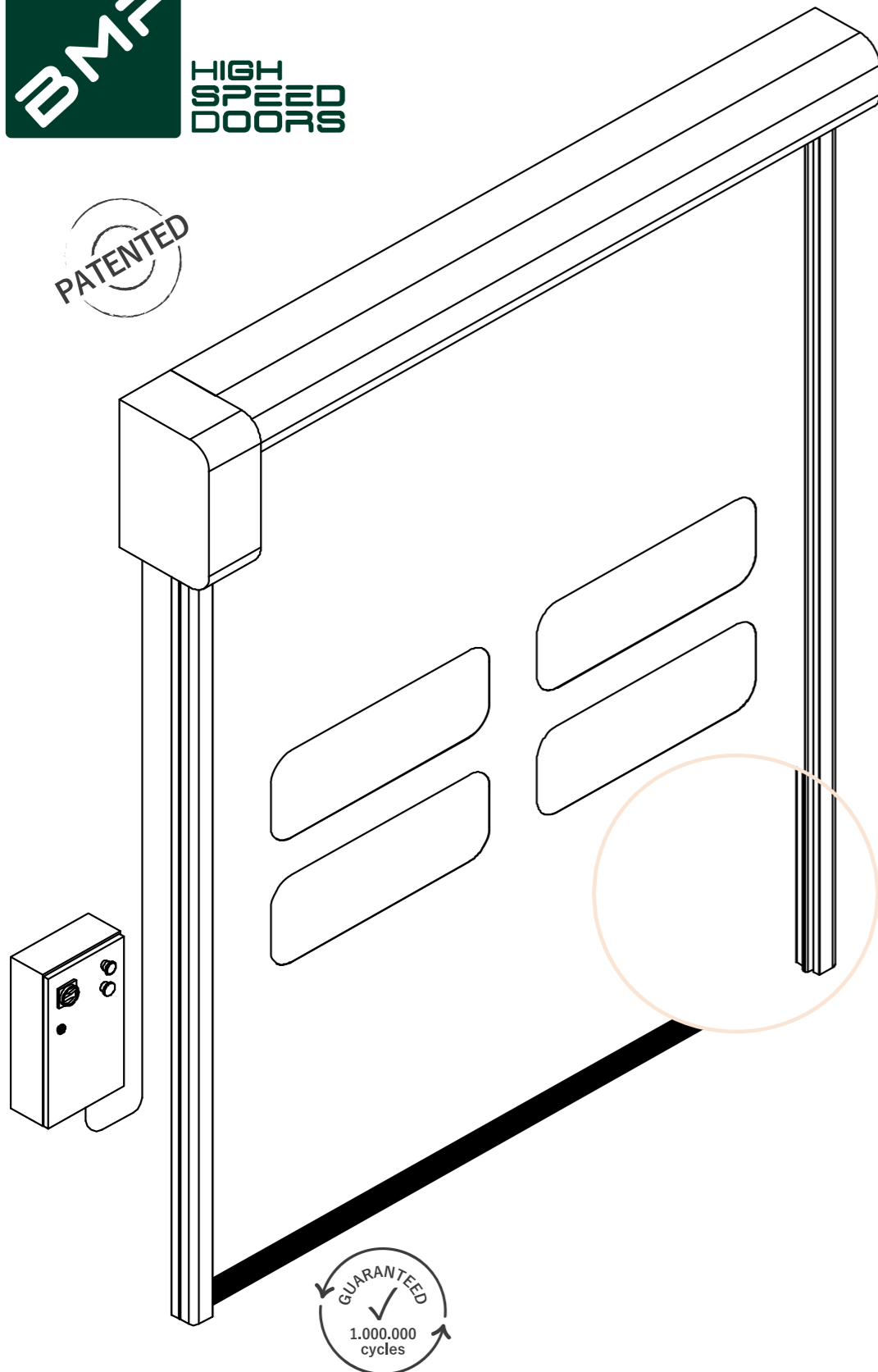
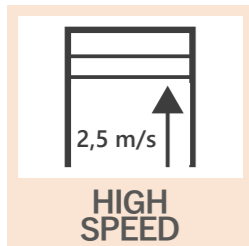




PATENTED



GUARANTEED  
1.000.000  
cycles



# DYNAMICROLL® FOOD INOX

## DESCRIPTION

DynamicRoll® **FOOD INOX** is a selfrepairing roll up door, with specific features to satisfy all Food process requirements.

Designed with special care to hygiene. This door has Food certifications in several countries. Characterized by Stainless Steel frame and designed to avoid the collecting of liquid, dust or any impurity on the frame, this door is washable in all parts respecting the hygienic restrictions of the field. Its speed will let the door maintain the different characteristics of the environment they are located in.

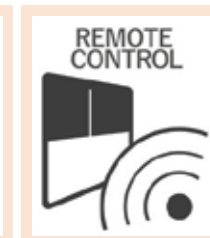
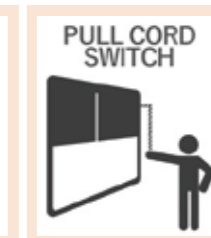
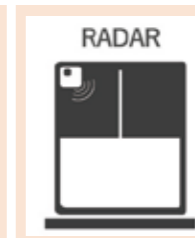
## ADVANTAGES

- ✓ Self- repairing
- ✓ Rapid
- ✓ Sealing
- ✓ Noiseless
- ✓ No rigid elements inside the curtain for 100% safety
- ✓ Plug & play (easy to install)
- ✓ Low maintenance
- ✓ Energy savings
- ✓ Washable

## APPLICATION

Roll up door ideal for:

- ✓ Food industry
- ✓ Large retailers
- ✓ Chemical
- ✓ Pharmaceutical
- ✓ General industry
- ✓ Agriculture



## EN13241/CF

Standard	Rif.	Test acc.	Results
Water permeability	EN 12425	EN 12489	Class 1
Wind load	EN 12424	EN 12444	Class 2
Wind permeability	EN 12426	EN 12427	Class 1
Safe openings	EN 12453	EN 12445	✓
Mechanical resistance	EN 12604	EN 12605	✓
Unintended movements	EN 12604	EN 12605	✓
Thermal transmittance	EN 12428	EN 12428	6,02 W/m <sup>2</sup> K
Performance (cycles)	EN 12604	EN 12605	1.000.000

VALUES CAN CHANGE DEPENDING ON DOOR DIMENSIONS

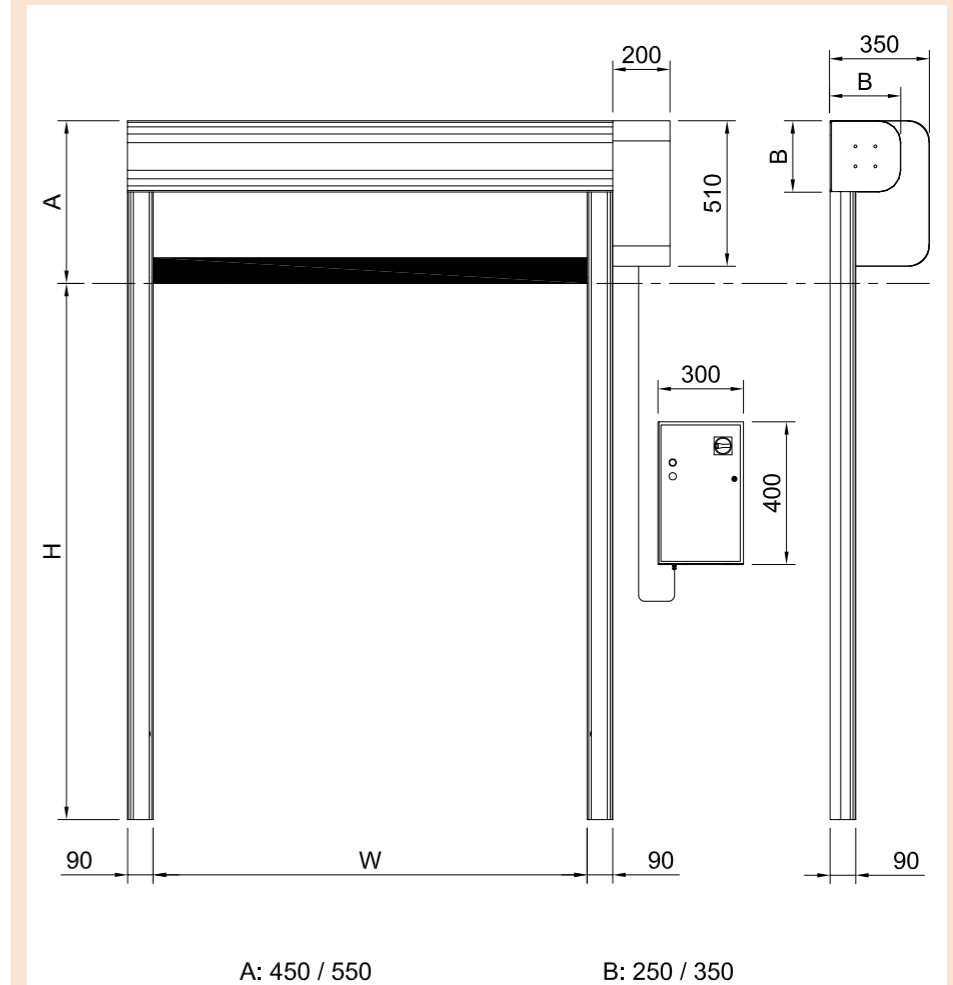
FEATURES	
Maximum dimensions	W 6500 mm x H 6500 mm
Speed	Max opening speed up to 2,5 m/s
	Closing speed 0,8 m/s
Wind resistance	3000 x 3000 Class 3 5000 x 5000 Class 2
Structure	Not self-supporting
Frame / motor cover hood	Standard: Stainless Steel 441/304
	Optional: Stainless Steel 316
Curtain	Standard: PVC curtain 1300 gr/m <sup>2</sup> , 6 W/m <sup>2</sup> K
	Optional: Insulated 7 mm, 3.3 W/m <sup>2</sup> k Translucent 35/40% FDA (white) Antistatic
Sliding system	Patented sliding system with high density Polyethylene self-lubricant equipped of sliding zipper directly on curtain.
Control panel	Standard: PVC box IP65 (300 x 400 x 150 mm)
	Optional: Stainless Steel Powder coated steel box IP54 (300 x 500 x 150 mm)
	Inverter system 50/60 Hz with absolute encoder
	Power supply 1-ph, 230V max 16A
	Power supply 3-ph, 400V max 10A
	Power supply 3-ph, 230V max 16A
	Star/Stop Button
	2 free contacts (door open/ closed/ allarme)
	Automatic/ Manual Interlocking between 2 doors
	IP rating for motor and control panel IP54
Wiring	Plug and Play system IP65

FEATURES	
Safeties	Standard: Photocells set IP65 Anti-jam sensor reverse
	Optional: WiFi safety edge IP65 Multi ray light curtain barrier H2500 IP67
Emergency opening	Standard: Hand crank
	Optional: Chain system Counterweight system UPS Battery
Advising operative temperature	Operating till - 30° C * with heating kit added - Not apt to be installed in negative/positive temperature
Cycles (EN 12604)	1.000.000 (tested)

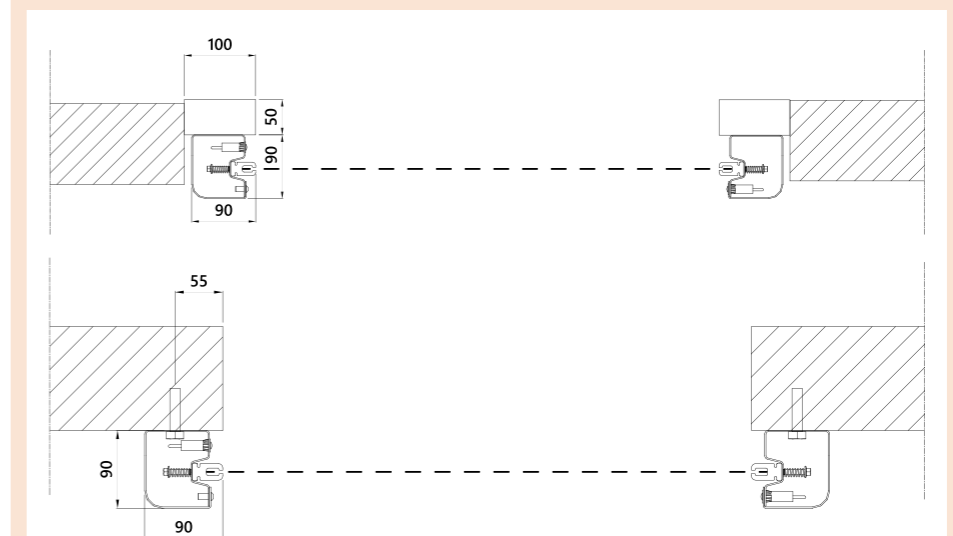
### SLIDING SYSTEM/ SELF-REPAIRING



### DOOR SPACE REQUIREMENTS




### FIXING DETAILS




### AVAILABLE COLOURS

Simil RAL 9010   
Simil RAL 1015   
Simil RAL 1003 

Simil RAL 2004   
Simil RAL 3002   
Simil RAL 6026 

Simil RAL 7042   
Simil RAL 7037   
Simil RAL 7035 

Simil RAL 5012   
Simil RAL 5002 

\*BMP Europe S.r.l. reserves the right to change the characteristics of its products or components without prior notice, depending on its policy of continuous product development. The doors shown are example applications. No part or excerpt may be reproduced without our prior permission.



Emergency Side



Food Inox

Food Inox

SELF REPAIRING HIGH SPEED DOOR

**DynamicRoll® FOOD INOX** is a self-repairing roll up door specially designed for the food industry.

The stainless steel structure is designed to ensure compliance with the industry hygiene standards and avoids the accumulation of liquids, dust and impurities. In addition, the door is washable in all its parts, to ensure maximum hygiene.

La **DynamicRoll® FOOD INOX** è una porta ad avvolgimento rapido autoriparante appositamente concepita per il settore alimentare.

La struttura in acciaio inossidabile, studiata per garantire il rispetto delle norme igieniche del settore, evita l'accumulo di liquidi, polveri e impurità. Inoltre la porta è lavabile in ogni sua parte, per garantire il massimo dell'igiene.

PORTA RAPIDA AUTORIPARANTE

TECHNICAL DATA / DATI TECNICI

Maximum door size (W x H) / Dimensioni massime (L x H)	6500 x 6500 mm	Wind load / Resistenza al vento: 3000 x 3000	Class / Classe: 3
Opening speed / Velocità d'apertura	~ 2,5 m/sec.	5000 x 5000	2
Closing speed / Velocità di chiusura	0,8 m/sec.	Applications / Applicazioni	Inside / Interno

# Technical data

PVC CURTAIN / TELO PVC 1,3 mm - 1300 gr/m<sup>2</sup>

Simil RAL 9010 <input type="checkbox"/>	Simil RAL 2004 <input type="checkbox"/>	Simil RAL 7042 <input type="checkbox"/>	Simil RAL 5012 <input type="checkbox"/>
Simil RAL 1015 <input type="checkbox"/>	Simil RAL 3002 <input type="checkbox"/>	Simil RAL 7037 <input type="checkbox"/>	Simil RAL 5002 <input type="checkbox"/>
Simil RAL 1003 <input type="checkbox"/>	Simil RAL 6026 <input type="checkbox"/>	Simil RAL 7035 <input type="checkbox"/>	
Simil RAL 9010 <input type="checkbox"/>	Simil RAL 3002 <input type="checkbox"/>	Simil RAL 7035 <input type="checkbox"/>	Simil RAL 9005 <input type="checkbox"/>
Simil RAL 1015 <input type="checkbox"/>	Simil RAL 8014 <input type="checkbox"/>	Simil RAL 7037 <input type="checkbox"/>	Simil RAL 5010 <input type="checkbox"/>
Simil RAL 1003 <input type="checkbox"/>	Simil RAL 6026 <input type="checkbox"/>	Simil RAL 7042 <input type="checkbox"/>	Simil RAL 5002 <input type="checkbox"/>
Simil RAL 2004 <input type="checkbox"/>	Simil RAL 6018 <input type="checkbox"/>	Simil RAL 9006 <input type="checkbox"/>	Simil RAL 5012 <input type="checkbox"/>

PVC CURTAIN / TELO PVC 0,9 mm - 900 gr/m<sup>2</sup>



INSULATED CURTAIN / TELO COIBENTATO 3,5 mm - 1300 gr/m<sup>2</sup>

Simil RAL 9010 <input type="checkbox"/>	Simil RAL 6026 <input type="checkbox"/>	Simil RAL 7035 <input type="checkbox"/>	Simil RAL 5002 <input type="checkbox"/>
---	---	---	---

Simil RAL 9010 <input type="checkbox"/>	Simil RAL 2004 <input type="checkbox"/>	Simil RAL 7035 <input type="checkbox"/>
Simil RAL 1003 <input type="checkbox"/>	Simil RAL 3002 <input type="checkbox"/>	Simil RAL 5002 <input type="checkbox"/>

INSULATED CURTAIN / TELO COIBENTATO 7 mm

Simil RAL 9010 <input type="checkbox"/>
---

FOOD CURTAIN (FDA) 1,7 mm - 1700 gr/m<sup>2</sup>



TYPE OF COATING AND FINISH / MATERIALE FINITURA TELO			
Coating material / Materiale	PVC		
Top coating / Finitura	Lacquered finishing on both sides / Laccato su entrambi i lati		
Flammability / Resistenza al fuoco	ISO 3795 < 100 mm/min.		
Best weight / Peso totale	900 / 1300 g/m <sup>2</sup>		DIN EN ISO 2286-2
Tensile strength / Resistenza alla trazione	4300 / 4000 N/50 mm		DIN EN ISO 1421/V1
Tear strength / Resistenza alla lacerazione	500 / 500 N		DIN 53363
Adhesion / Adesione	20 N/cm		LB 3.04-1
Low temperature resistance / Resistenza al freddo	-40 °C		DIN EN 1876-1
High temperature resistance / Resistenza al caldo	+70 °C		LB 3.15
Color fastness to light / Solidità alla luce	>6 Value / Note		DIN EN ISO 105 B02
Bending strenght / Resistenza alle piegature	No creases / Nessuna piega	10.000 x @	DIN 53359 A

TESSUTO DI SUPPORTO / BASE FABRIC			
Material / Materiale	DIN ISO 2076		
Yarn count / Titolo del filato	1100	dtex	DIN ISO 2060
Weave / Armatura	P2/2		
Notes / Note	Complies with DIN EN 12641-2 / Soddisfa i requisiti DIN EN 12641-2		